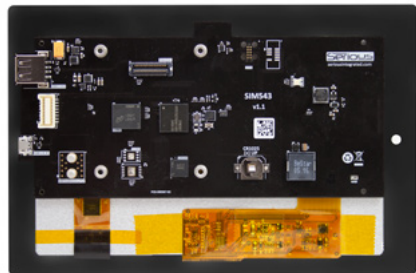


SIM543



Front View



Back View

Important Legal Notice

See the latest and complete warranty, licensing and legal information at www.seriousintegrated.com/legal.

Information herein is provided in connection with Serious Integrated, Inc. ("SERIOUS") products.

The products may comprise components designed and manufactured by SERIOUS as well as other vendors. This information may refer to a variety of specifications related to those non-SERIOUS components for informational purposes only, and the user is strongly urged to consult the original manufacturers' data sheets and other documentation for authoritative specifications.

No license, express or implied, by estoppel or otherwise, to any intellectual property rights is granted by this information.

SERIOUS assumes no liability whatsoever, and SERIOUS disclaims any warranties whether express or implied, written, oral, statutory or otherwise relating to the information and its use, including any liability for warranties relating to fitness for a particular purpose, performance, quality, merchantability, or infringement of any patent, copyright or other intellectual property right. The user is responsible for determining the suitability of SERIOUS products for the intended application and that applicable specifications are met.

SERIOUS makes no representations or warranties with respect to the accuracy or completeness of the information and may make changes to the information, specifications and product descriptions at any time without notice. Designers should not rely on the absence or characteristics of any features or instructions marked "reserved" or "undefined." SERIOUS reserves these for future definition and shall have no responsibility whatsoever for conflicts or incompatibilities arising from future changes to such features or instructions. SERIOUS products may contain design defects or errors known as errata which may cause the product to deviate from published specifications. Current characterized errata are available upon request.

Use of SERIOUS products in automotive, military, aircraft, space, life-saving or life-sustaining applications or in any systems where failure or malfunction may result in personal injury, death or severe property or environmental damage is entirely at the buyer's risk and the buyer agrees to defend, indemnify and hold harmless SERIOUS from any and all damages, claims, suits or expenses resulting from such use.

Trademarks and Copyrights

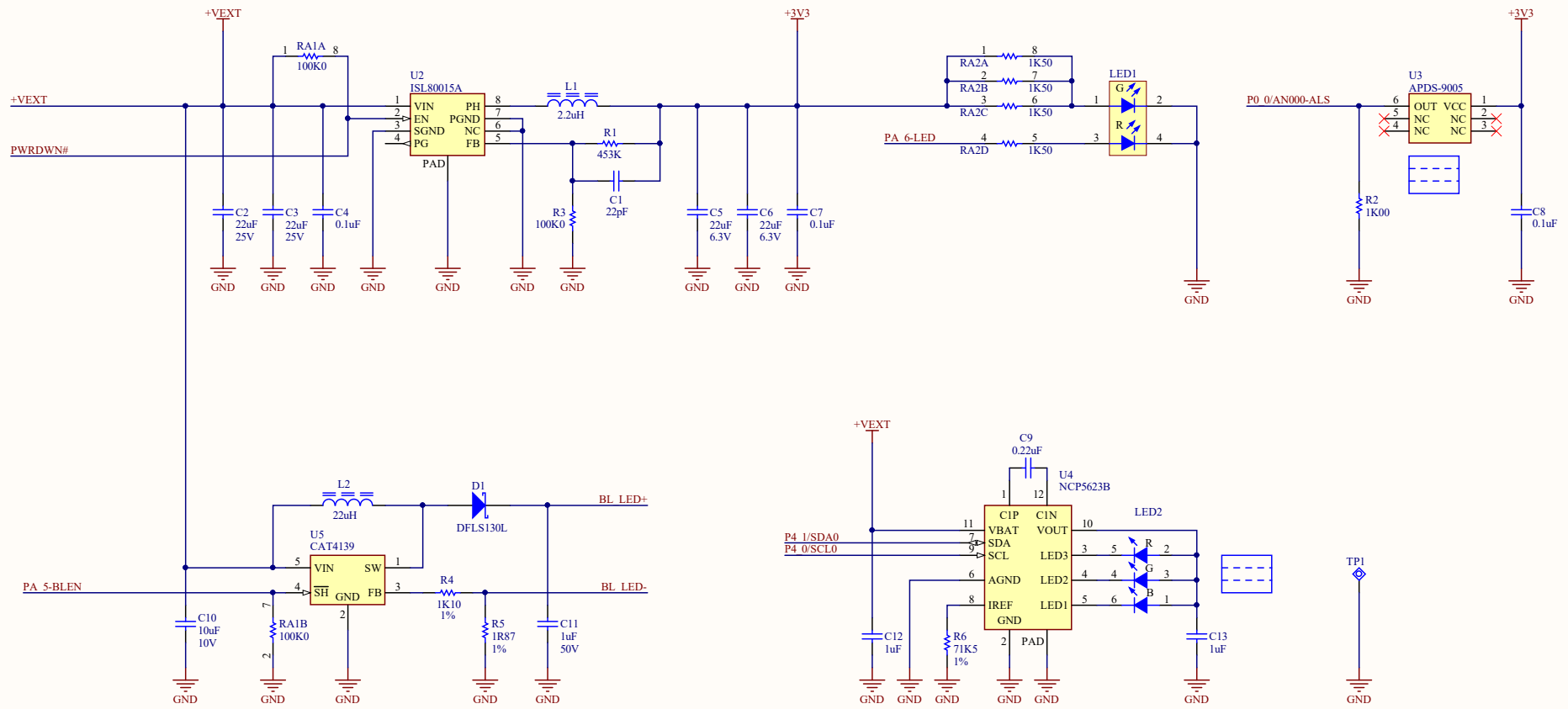
The "Serious" name and stylized Serious mark are trademarks of Serious Integrated, Inc. The information herein, unless otherwise indicated, is Copyright 2012-2016 Serious Integrated, Inc. Third party brands and names are the property of their respective owners.

Additional Information

Further documentation, including schematics, STEP 3D CAD files, and more can be found on the [Serious Documentation Page for SIM543](#).

For more information on the SIM543:

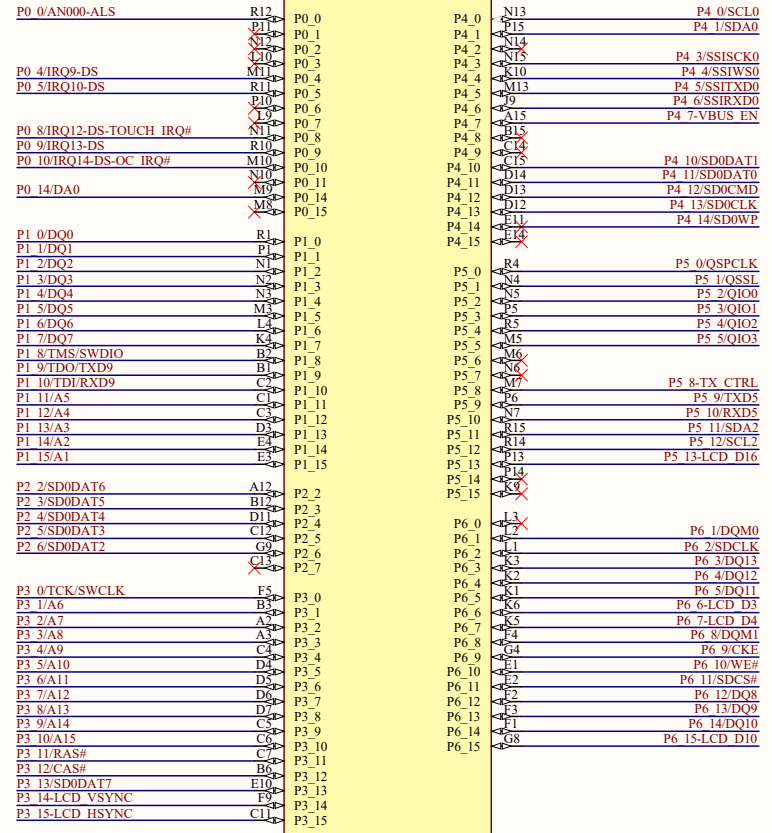
- Visit www.seriousintegrated.com/SIM543
- Visit mySerious.com
- [Contact Serious](#) directly



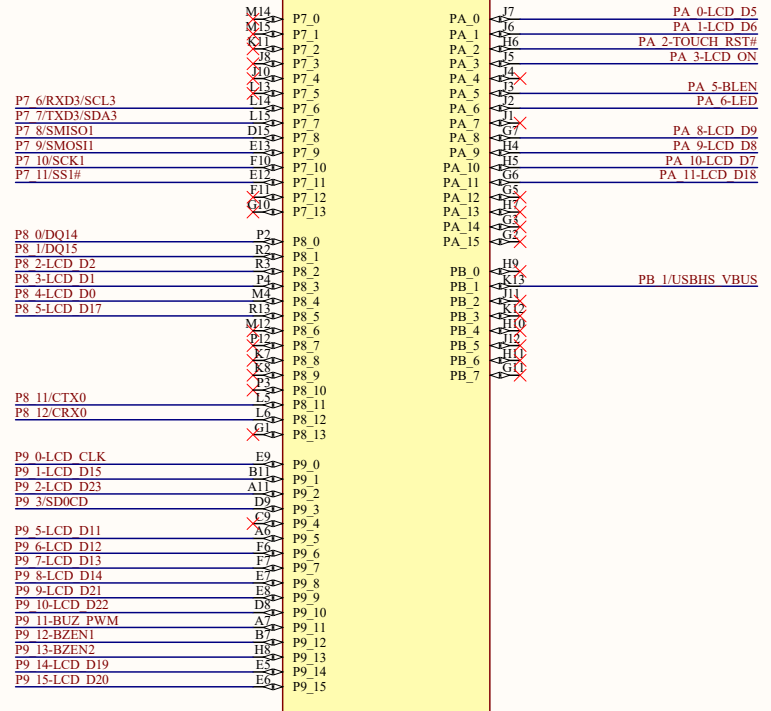
*** CONFIDENTIAL AND PROPRIETARY - INTERNAL USE ONLY ***

SIM543 Power Supply		Serious Integrated, Inc. 145 s 79th Street Chandler, AZ 85226 USA www.seriousintegrated.com		
Author: Jorge Amodio	Revision: v1.0 PCB01			
Date: 5/16/2016	Time: 7:20:39 AM	Sheet 1 of 11		
File: SIM543_01-Power.SchDoc				

U1A
S7G2-FBGA224

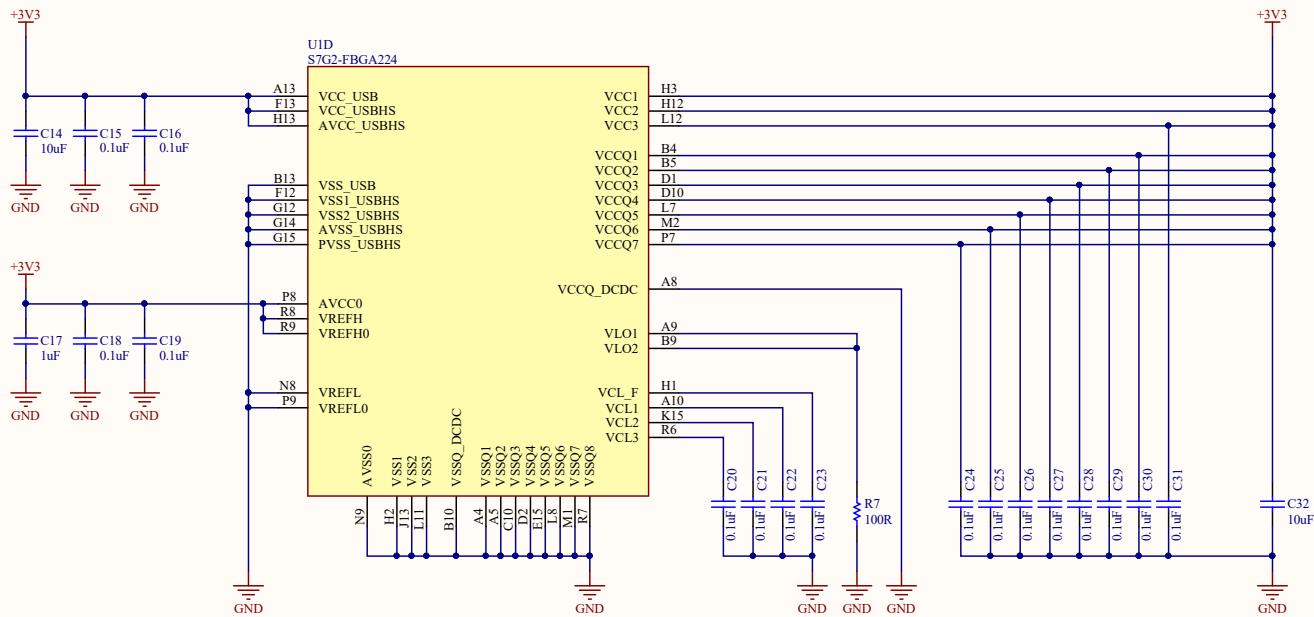


U1B
S7G2-FBGA224



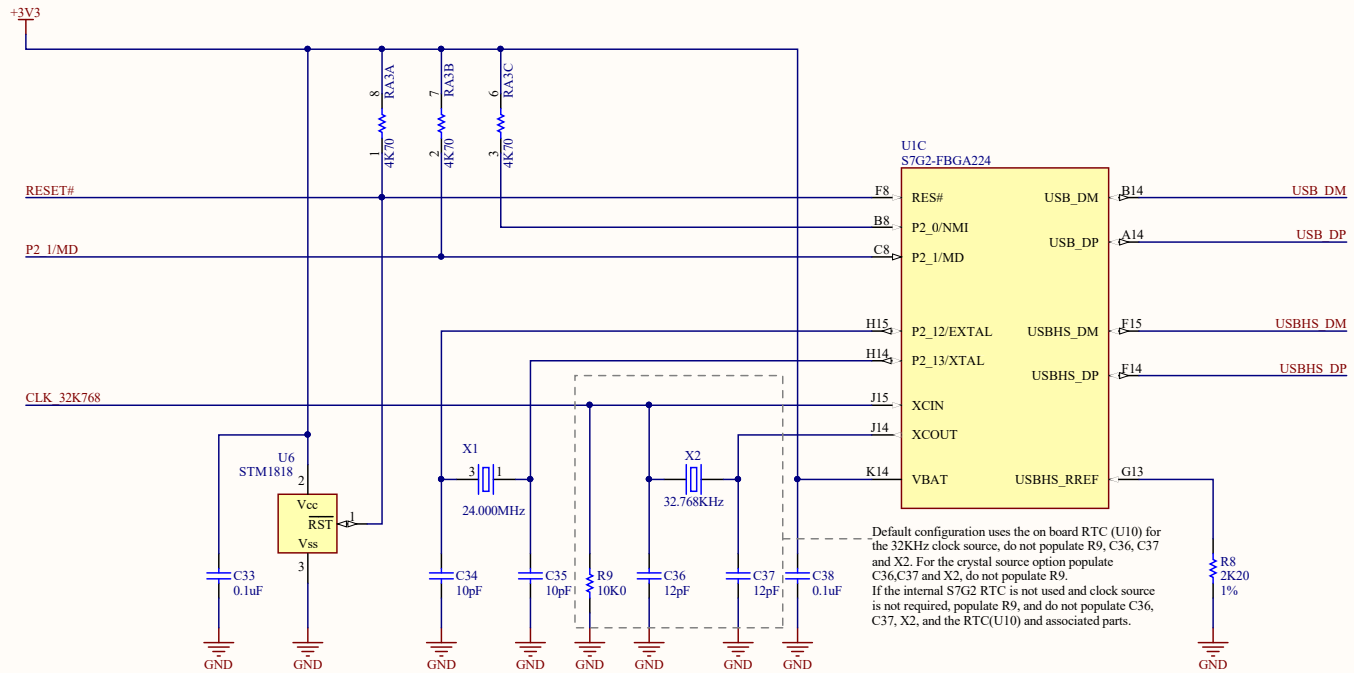
*** CONFIDENTIAL AND PROPRIETARY - INTERNAL USE ONLY ***

SIM543 MCU eMMC, SDRAM, I2C interfaces, GPIO		Serious Integrated, Inc. 145 s 79th Street Chandler, AZ 85226 USA		
Author: Jorge Amodio	Revision: v1.0 PCB01	www.seriousintegrated.com		
Date: 5/16/2016	Time: 7:20:39 AM	Sheet 2 of 11		
File: SIM543_01-MCU_Signals.SchDoc				



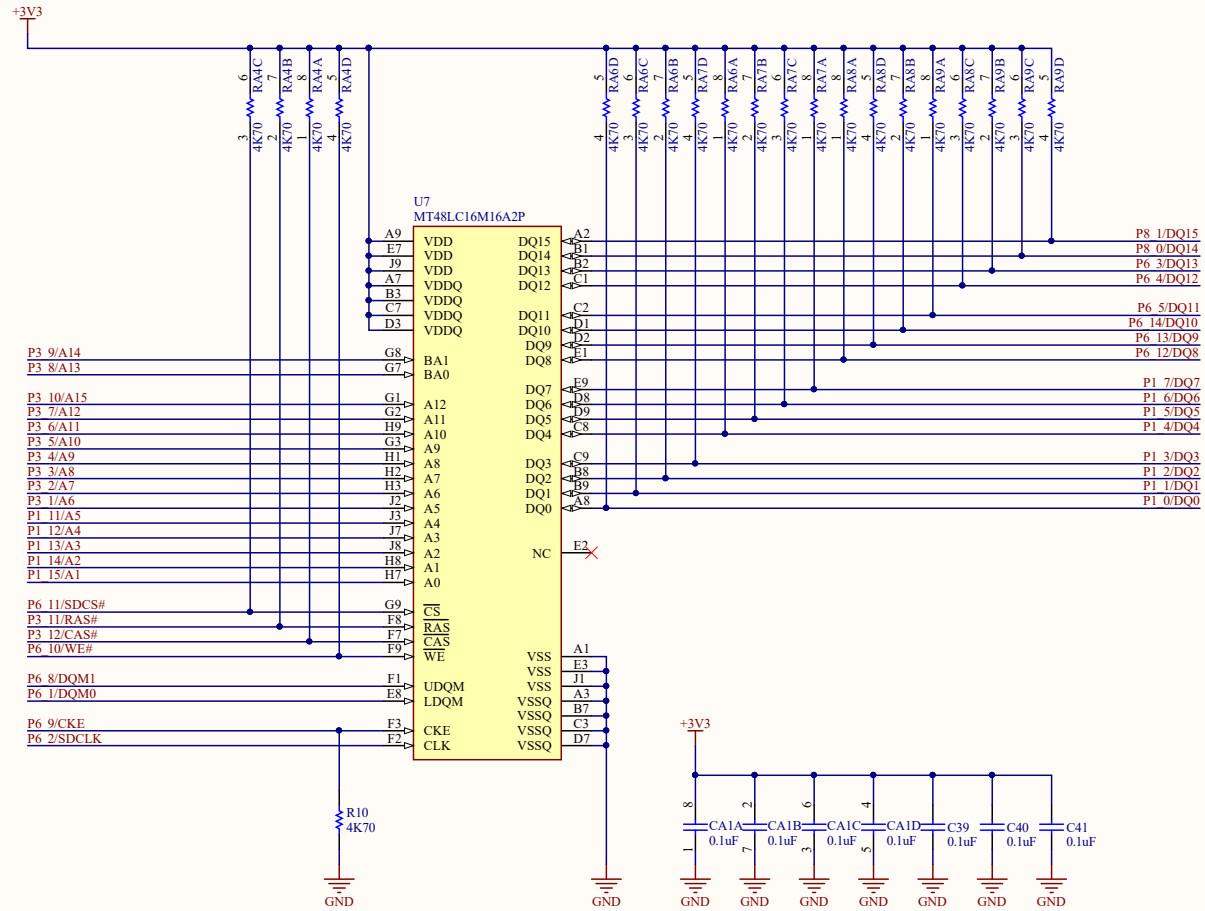
*** CONFIDENTIAL AND PROPRIETARY - INTERNAL USE ONLY ***

SIM543 MCU Power block		Serious Integrated, Inc. 145 s 79th Street Chandler, AZ 85226 USA www.seriousintegrated.com		
Author: Jorge Amodio		Revision: v1.0 PCB01		
Date: 5/16/2016	Time: 7:20:40 AM	Sheet 3 of 11		
File: SIM543_01-MCU_Power.SchDoc				



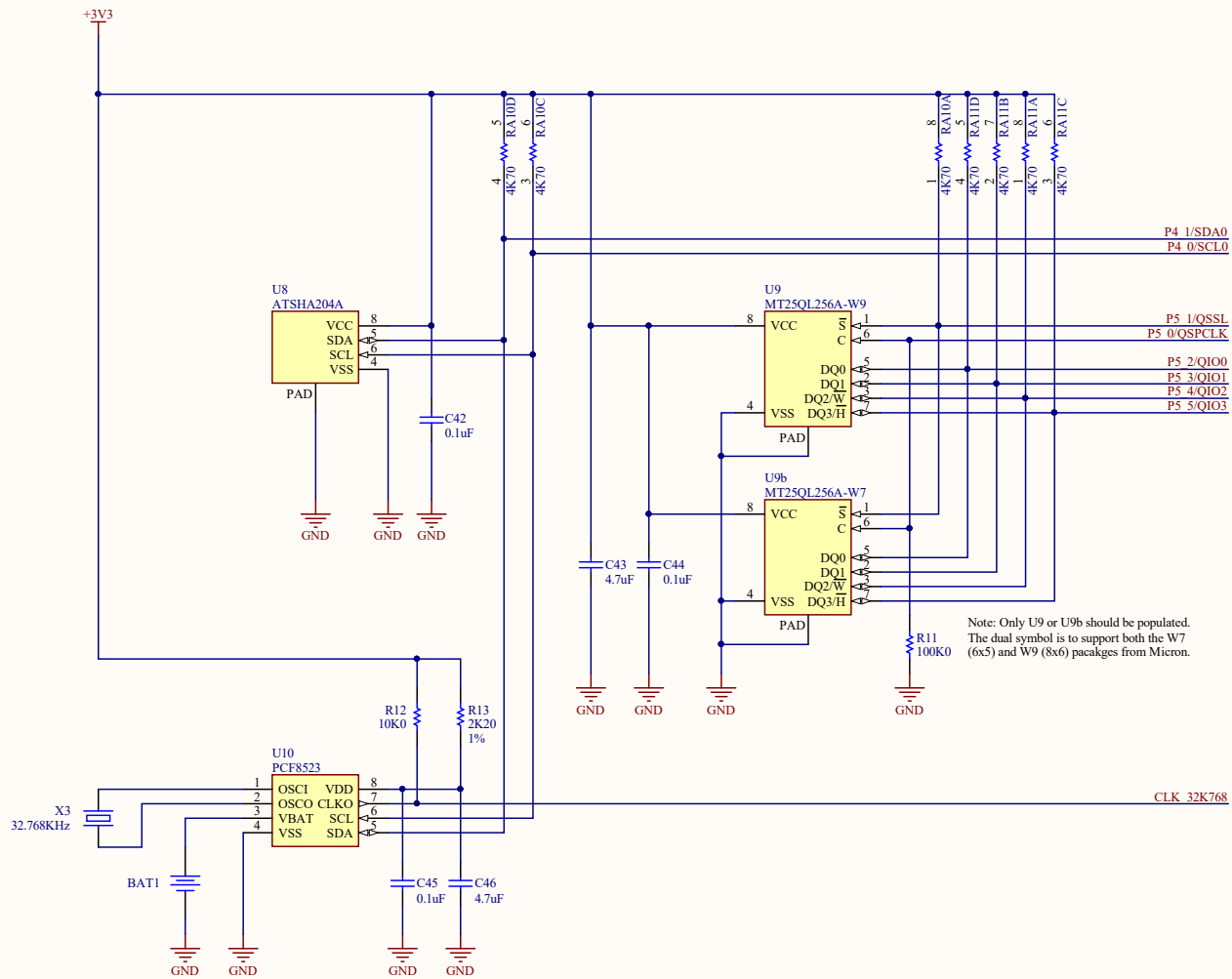
*** CONFIDENTIAL AND PROPRIETARY - INTERNAL USE ONLY ***

SIM543 MCU Clocks & Control Signals		Serious Integrated, Inc. 145 s 79th Street Chandler, AZ 85226 USA www.seriousintegrated.com		
Author: Jorge Amodio	Revision: v1.0 PCB01			
Date: 5/16/2016	Time: 7:20:40 AM	Sheet 4 of 11		
File: SIM543_01-MCU_Clocks_SchDoc				



*** CONFIDENTIAL AND PROPRIETARY - INTERNAL USE ONLY ***

SIM543 SDRAM		Serious Integrated, Inc. 145 s 79th Street Chandler, AZ 85226 USA www.seriousintegrated.com		
Author: Jorge Amodio	Revision: v1.0 PCB01			
Date: 5/16/2016	Time: 7:20:40 AM	Sheet 5 of 11		
File: SIM543_01-SDRAM.SchDoc				



*** CONFIDENTIAL AND PROPRIETARY - INTERNAL USE ONLY ***

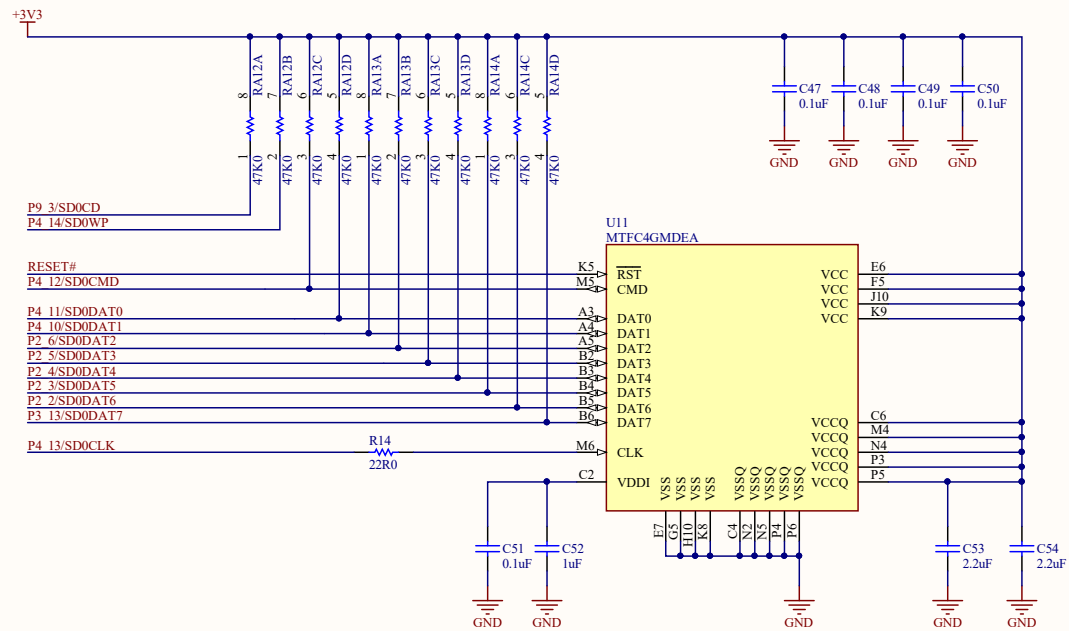
SIM543
EEPROM, FLASH, RTC

Author: Jorge Amodio
Date: 5/16/2016 Time: 7:20:40 AM
File: SIM543_01-Memory_SchDoc

Revision: v1.0 PCB01
Sheet 6 of 11

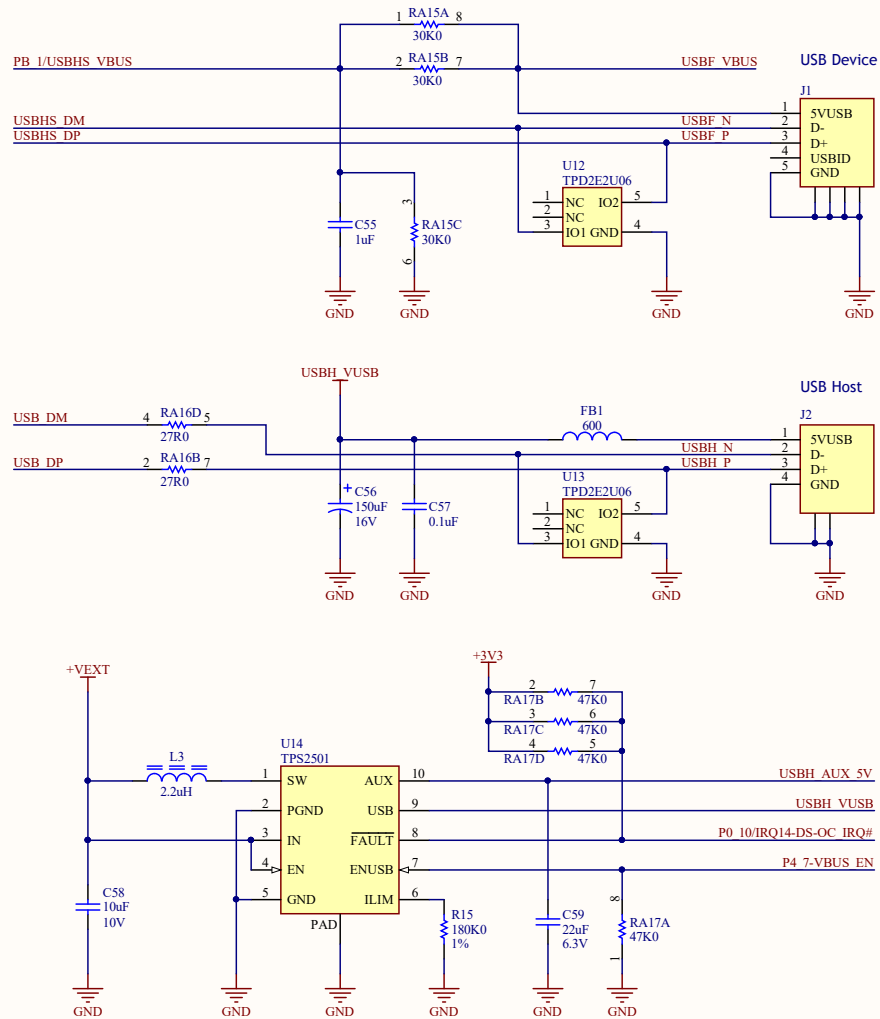
Serious Integrated, Inc.
145 s 79th Street
Chandler, AZ 85226
USA
www.seriousintegrated.com





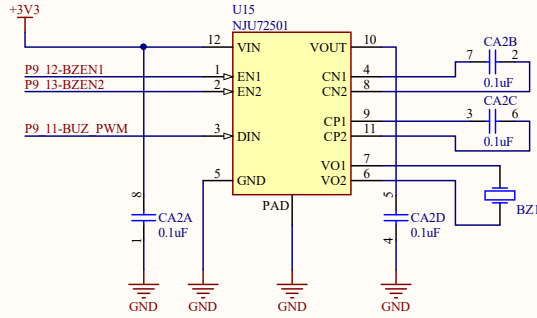
*** CONFIDENTIAL AND PROPRIETARY - INTERNAL USE ONLY ***

SIM543 eMMC Memory		Serious Integrated, Inc. 145 s 79th Street Chandler, AZ 85226 USA www.seriousintegrated.com		
Author: Jorge Amodio	Revision: v1.0 PCB01			
Date: 5/16/2016	Time: 7:20:40 AM	Sheet 7 of 11		
File: SIM543_01-MMC.schDoc				



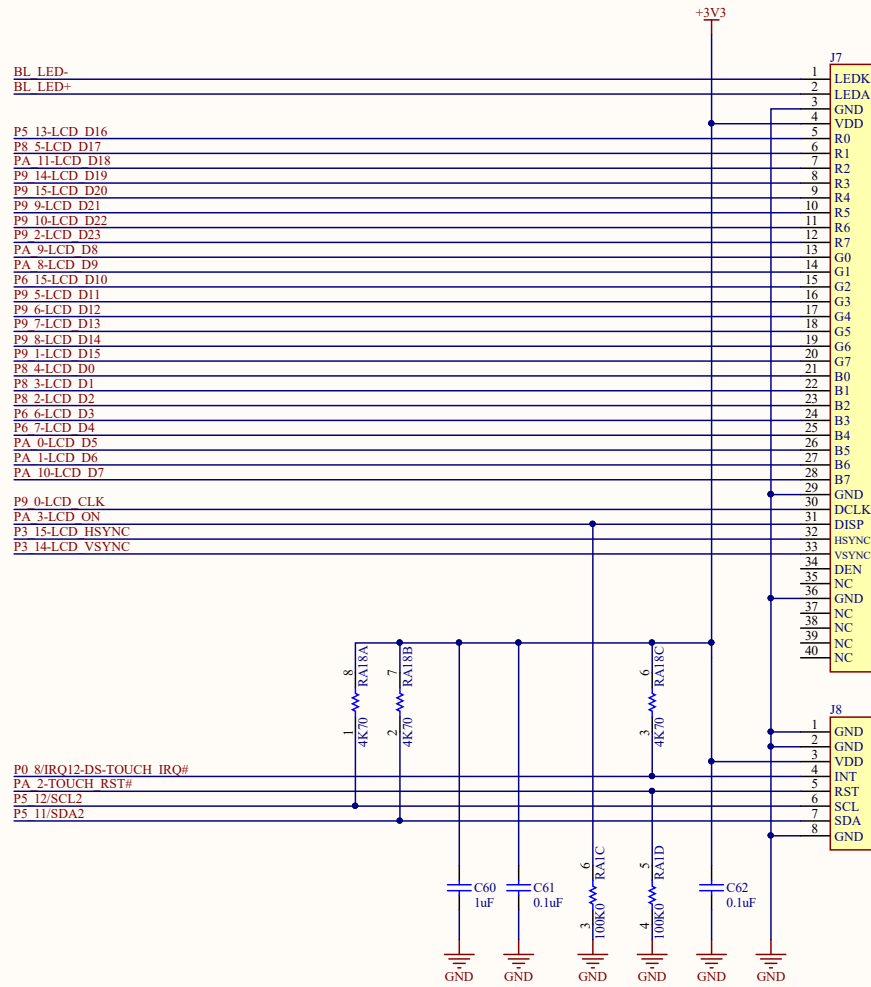
*** CONFIDENTIAL AND PROPRIETARY - INTERNAL USE ONLY ***

SIM543		Serious Integrated, Inc.		
USB 2.0 Host and Device Interfaces		145 s 79th Street		
Author: Jorge Amodio	Revision: v1.0 PCB01	Chandler, AZ 85226		USA
Date: 5/16/2016	Time: 7:20:40 AM	Sheet 8 of 11	www.seriousintegrated.com	
File: SIM543_01-USB.SchDoc				



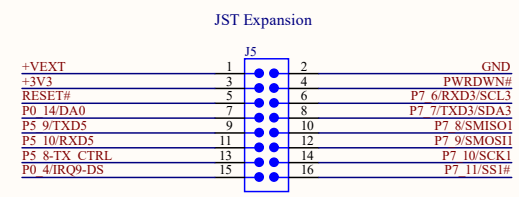
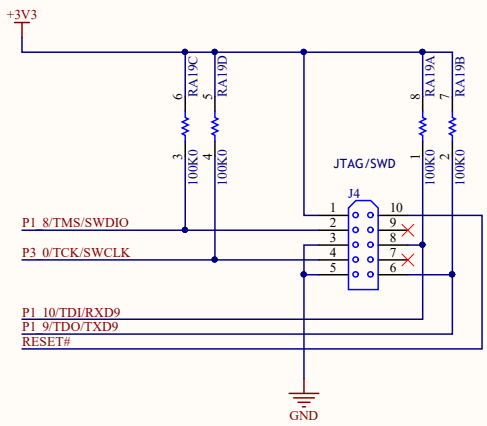
*** CONFIDENTIAL AND PROPRIETARY - INTERNAL USE ONLY ***

SIM543 Audio Buzzer, DAC		Serious Integrated, Inc. 145 s 79th Street Chandler, AZ 85226 USA www.seriousintegrated.com		
Author: Jorge Amodio	Revision: v1.0 PCB01			
Date: 5/16/2016	Time: 7:20:40 AM	Sheet 9 of 11		
File: SIM543_01-Audio_SchDoc				

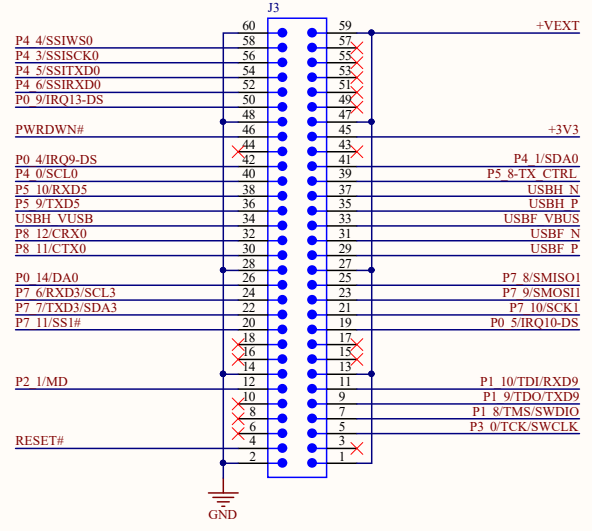


*** CONFIDENTIAL AND PROPRIETARY - INTERNAL USE ONLY ***

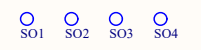
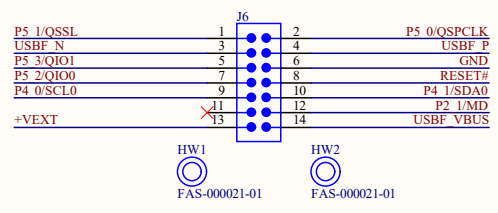
SIM543		Serious Integrated, Inc.		
LCD		145 s 79th Street		
Author: Jorge Amodio	Revision: v1.0 PCB01	Chandler, AZ 85226		USA
Date: 5/16/2016	Time: 7:20:40 AM	Sheet 10of 11	www.seriousintegrated.com	
File: SIM543_01-LCD.SchDoc				



Board to Board Expansion



SHIP Programming Port



*** CONFIDENTIAL AND PROPRIETARY - INTERNAL USE ONLY ***

SIM543 JTAG, Expansion and Programming Connectors		Serious Integrated, Inc. 145 s 79th Street Chandler, AZ 85226 USA www.seriousintegrated.com	
Author: Jorge Amodio	Revision: v1.0 PCB01	Date: 5/16/2016	Time: 7:20:40 AM
File: SIM543_01-Connectors.SchDoc	Sheet 11 of 11		

