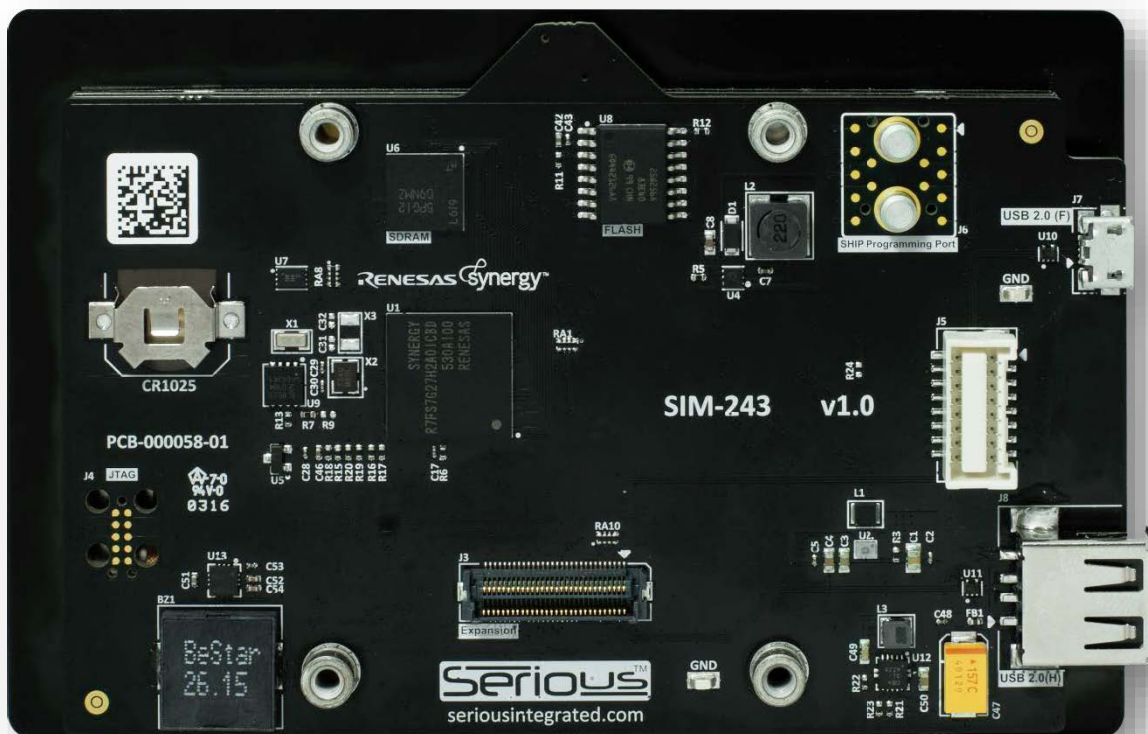


SERIOUS™

SIM243

Schematics



IMPORTANT LEGAL NOTICE

See the latest and complete warranty, licensing and legal information at www.seriousintegrated.com/legal.

Information herein is provided in connection with Serious Integrated, Inc. (“SERIOUS”) products.

The products may comprise components designed and manufactured by SERIOUS as well as other vendors. This information may refer to a variety of specifications related to those non-SERIOUS components for informational purposes only, and the user is strongly urged to consult the original manufacturers’ data sheets and other documentation for authoritative specifications.

No license, express or implied, by estoppel or otherwise, to any intellectual property rights is granted by this information.

SERIOUS assumes no liability whatsoever, and SERIOUS disclaims any warranties whether express or implied, written, oral, statutory or otherwise relating to the information and its use, including any liability for warranties relating to fitness for a particular purpose, performance, quality, merchantability, or infringement of any patent, copyright or other intellectual property right. The user is responsible for determining the suitability of SERIOUS products for the intended application and that applicable specifications are met.

SERIOUS makes no representations or warranties with respect to the accuracy or completeness of the information and may make changes to the information, specifications and product descriptions at any time without notice. Designers should not rely on the absence or characteristics of any features or instructions marked “reserved” or “undefined.” SERIOUS reserves these for future definition and shall have no responsibility whatsoever for conflicts or incompatibilities arising from future changes to such features or instructions. SERIOUS products may contain design defects or errors known as errata which may cause the product to deviate from published specifications. Current characterized errata are available upon request.

Use of SERIOUS products in automotive, military, aircraft, space, life-saving or life-sustaining applications or in any systems where failure or malfunction may result in personal injury, death or severe property or environmental damage is entirely at the buyer’s risk and the buyer agrees to defend, indemnify and hold harmless SERIOUS from any and all damages, claims, suits or expenses resulting from such use.

TRADEMARKS AND COPYRIGHTS

The “Serious” name and stylized Serious mark are trademarks of Serious Integrated, Inc. The information herein, unless otherwise indicated, is Copyright 2012-2016 Serious Integrated, Inc.

Third party brands and names are the property of their respective owners.

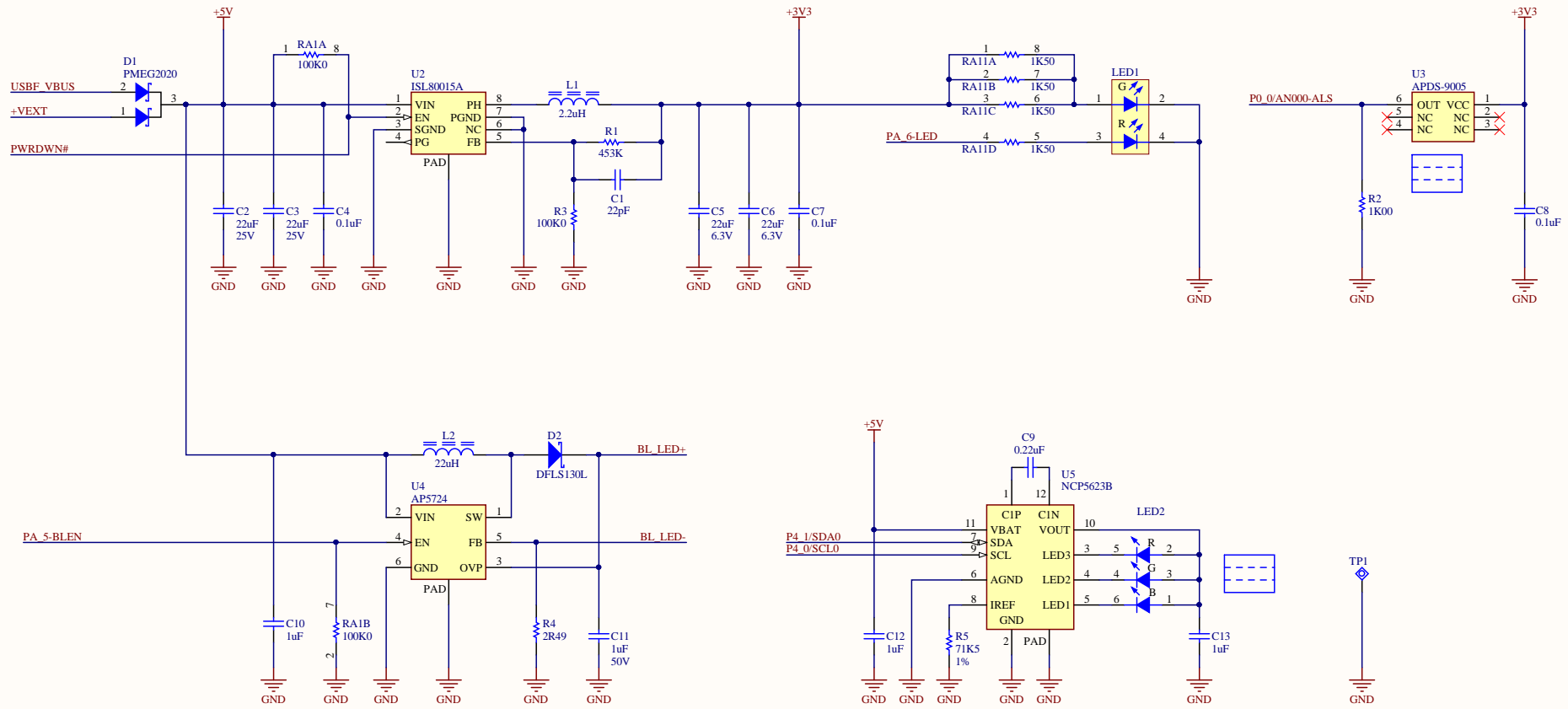
ADDITIONAL INFORMATION

The home page for SIM243 technical documentation is: <http://www.seriousintegrated.com/w/index.php?title=SIM243>

Further documentation, including schematics, STEP 3D CAD files, and more can be found here.

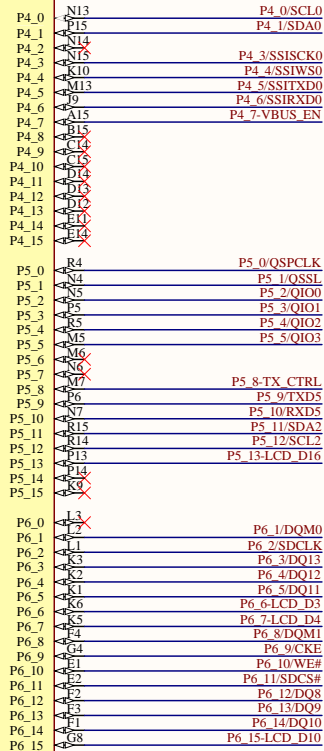
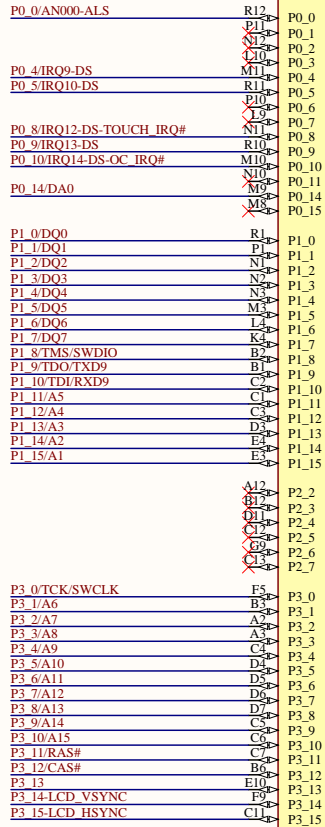
For more information on the SIM243:

- Visit www.seriousintegrated.com/SIM243
- Contact a [Serious manufacturers' representative](#)
- Contact a [Serious authorized distributor](#)
- Visit mySerious.com
- [Contact Serious](#) directly

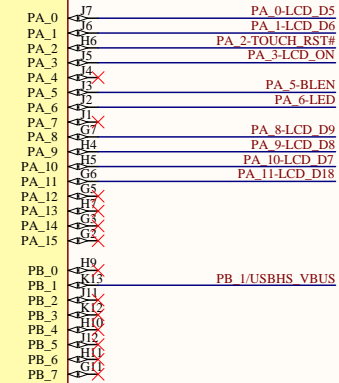
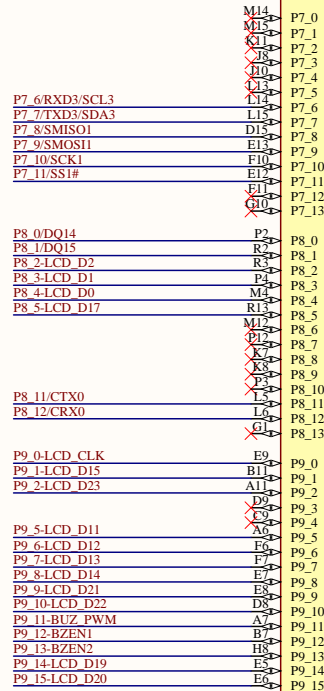


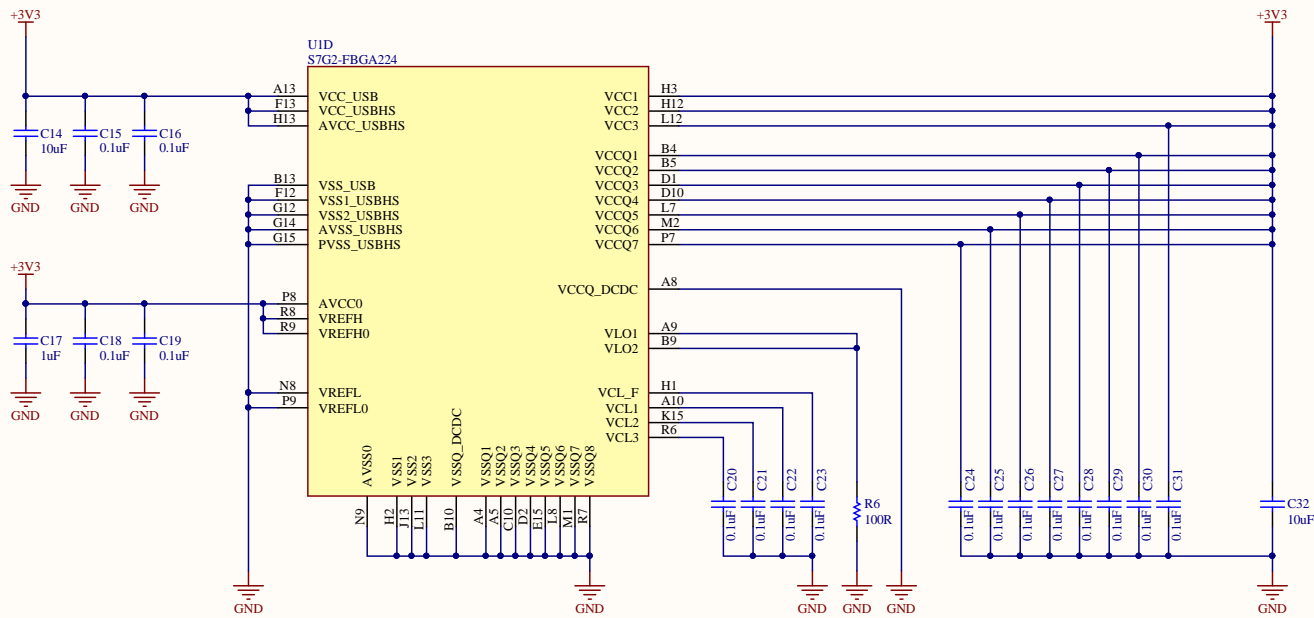
SIM243 Power Supply		Serious Integrated, Inc. 145 s 79th Street Chandler, AZ 85226 USA www.seriousintegrated.com		
Author: <i>Large Amodio</i>	Revision: v2.0 PCB02			
Date: 3/3/2016	Time: 11:59:17 PM	Sheet 1 of 10		
File: SIM243_02-Power SchDoc				

U1A
S7G2-FBGA224

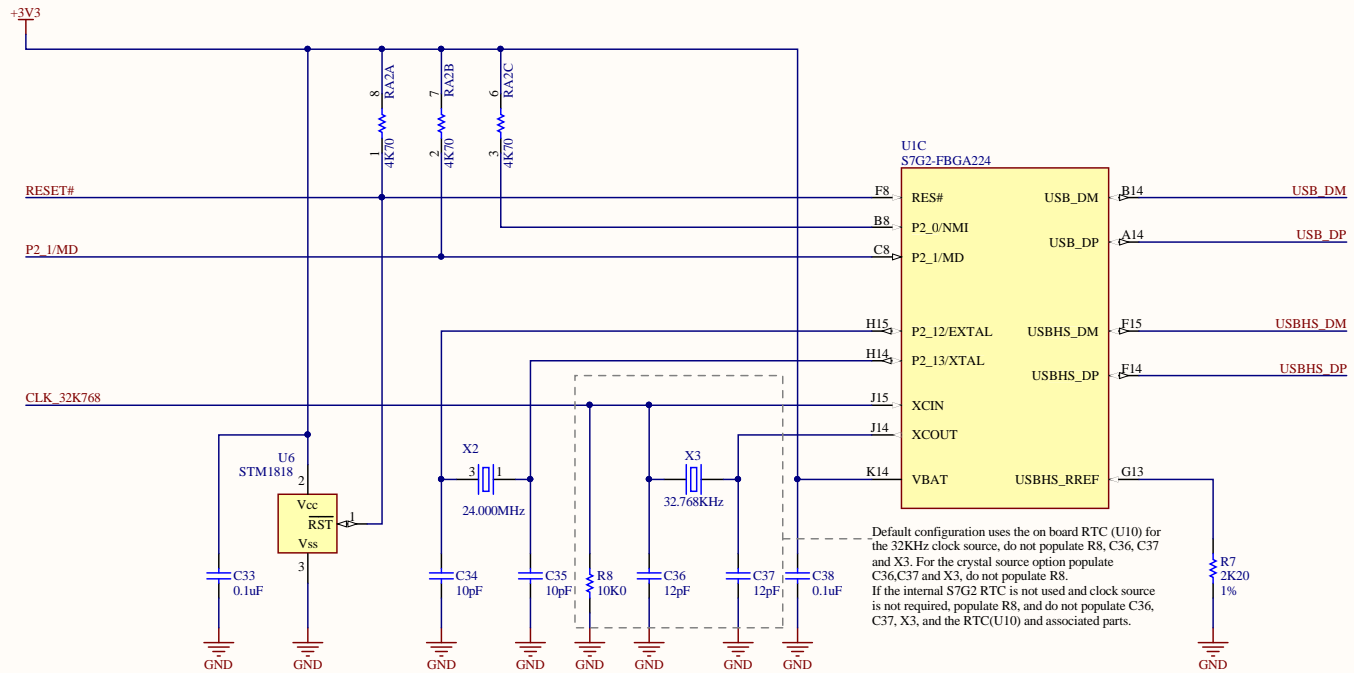


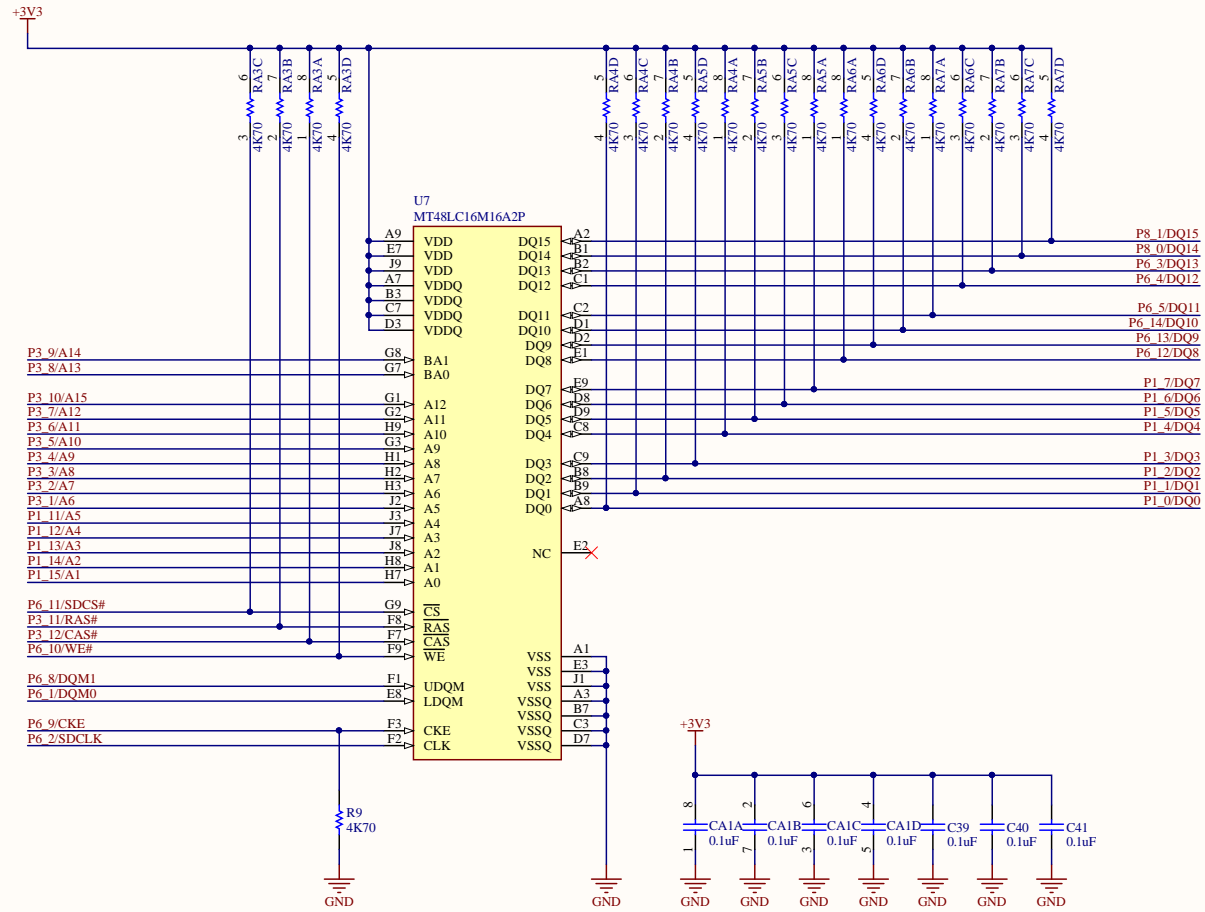
U1B
S7G2-FBGA224

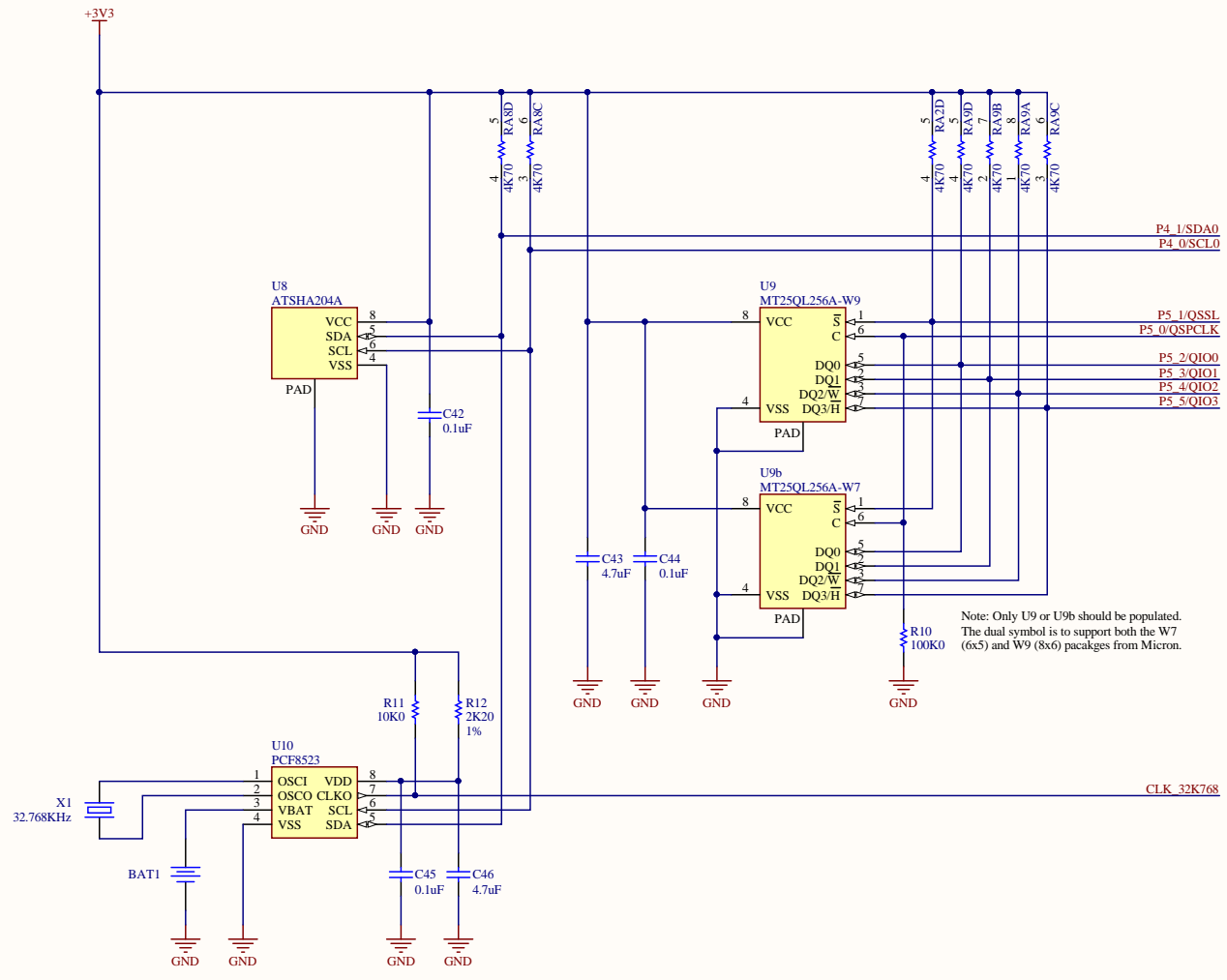




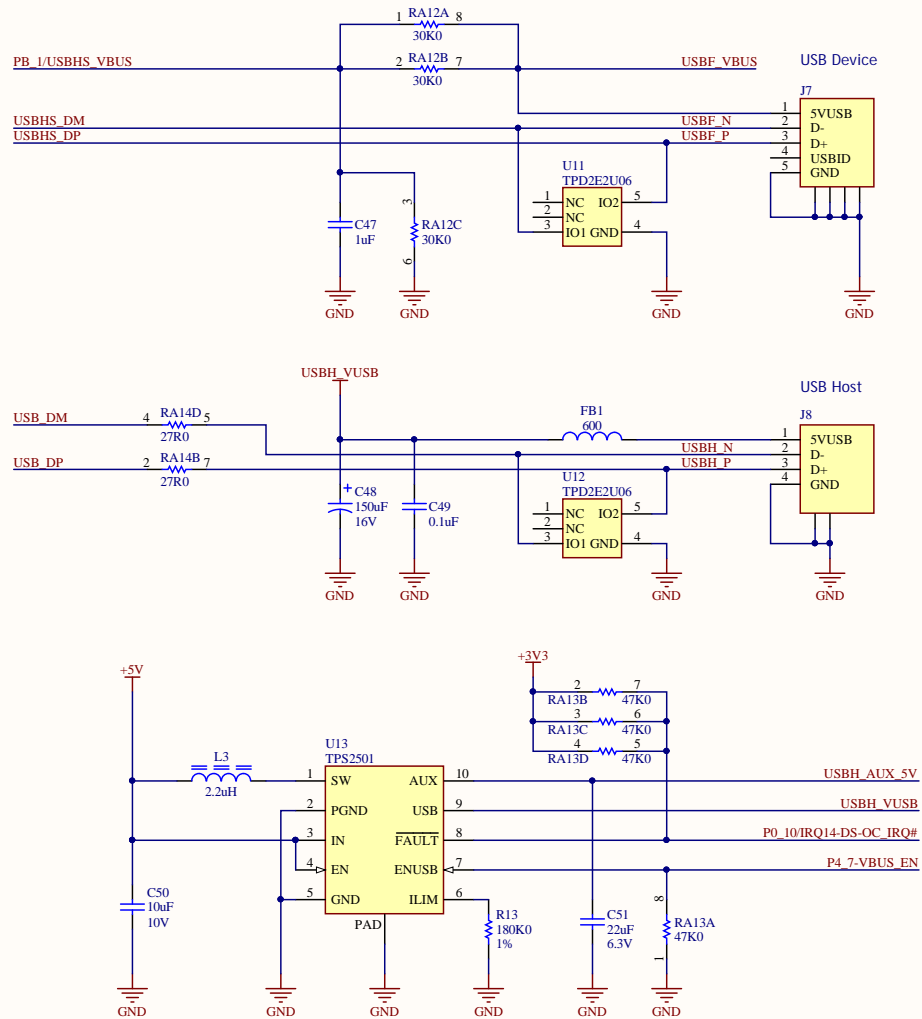
SIM243 MCU Power block		Serious Integrated, Inc. 145 s 79th Street Chandler, AZ 85226 USA www.seriousintegrated.com		
Author: Jorge Amodio	Revision: v2.0 PCB02			
Date: 3/3/2016	Time: 11:59:17 PM	Sheet 3 of 10		
File: SIM243_02-MCU_Power.SchDoc				

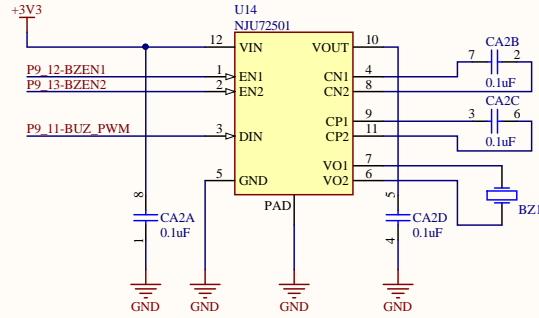






Note: Only U9 or U9b should be populated. The dual symbol is to support both the W7 (6x5) and W9 (8x6) packages from Micron.





SIM243
Audio Buzzer, DAC

Author: *Large Amedeo*

Date: 3/3/2016 Time: 11:59:18 PM

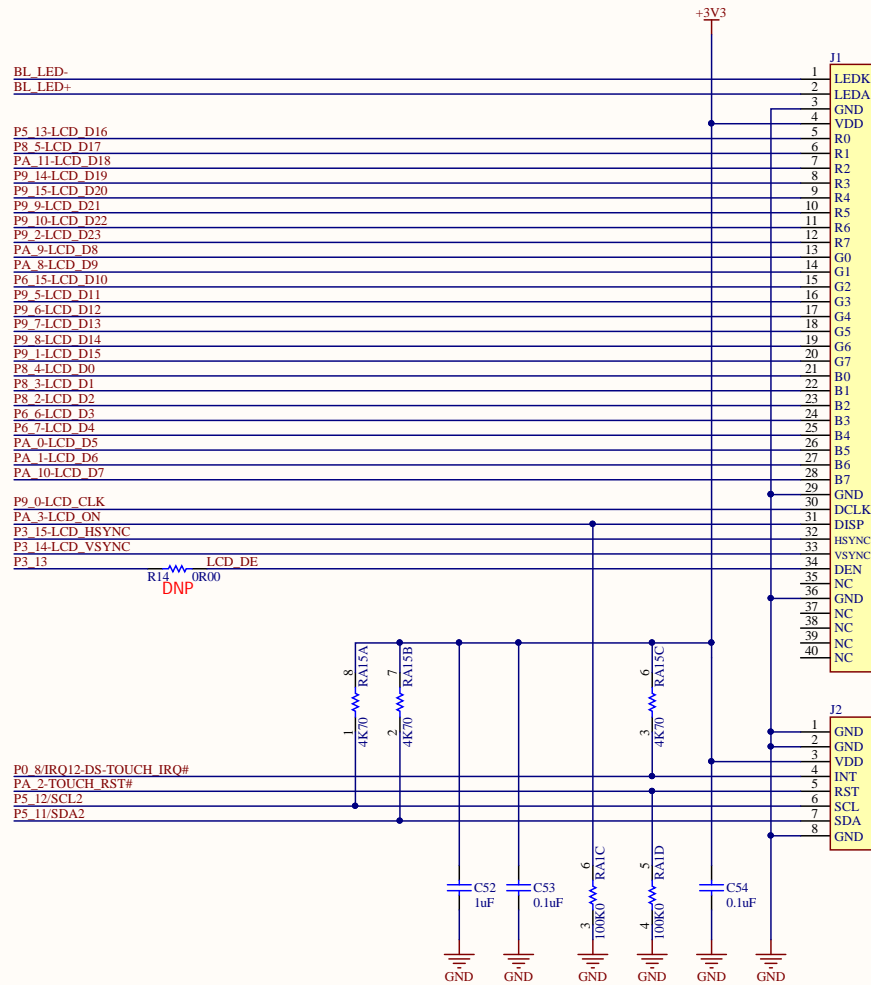
File: SIM243_02-Audio SchDoc

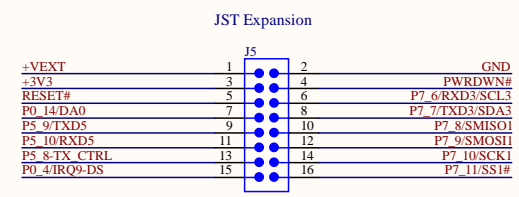
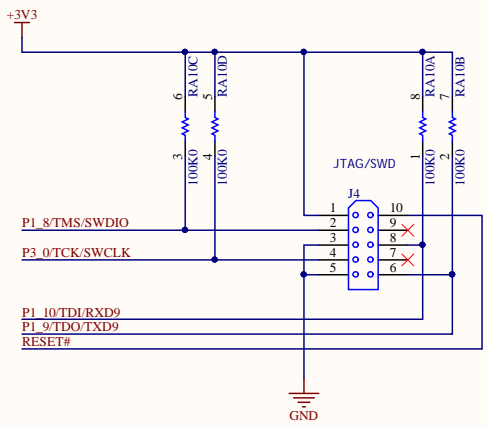
Revision: v2.0 PCB02

Sheet 8 of 10

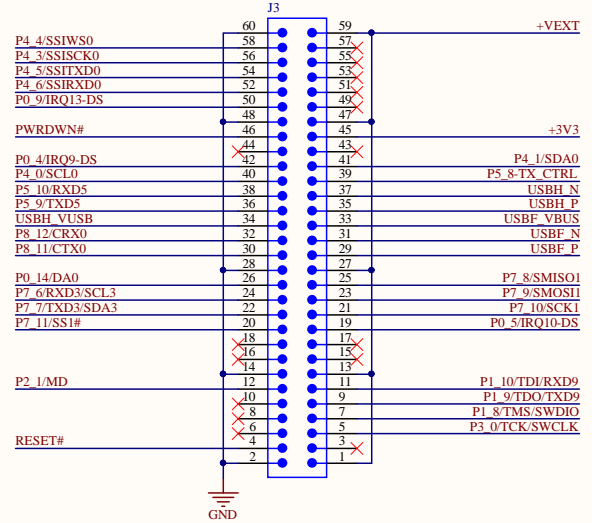
Serious Integrated, Inc.
145 s 79th Street
Chandler, AZ 85226
USA
www.seriousintegrated.com







Board to Board Expansion



SHIP Programming Port

