

SERIOUS™

SIM115 Schematics

PCB Revision 03 for
SIM115 Version 2.2



IMPORTANT LEGAL NOTICE

See the latest and complete warranty, licensing and legal information at www.seriousintegrated.com/legal.

Information herein is provided in connection with Serious Integrated, Inc. (“SERIOUS”) products.

The products may comprise components designed and manufactured by SERIOUS as well as other vendors. This information may refer to a variety of specifications related to those non-SERIOUS components for informational purposes only, and the user is strongly urged to consult the original manufacturers’ data sheets and other documentation for authoritative specifications.

No license, express or implied, by estoppel or otherwise, to any intellectual property rights is granted by this information.

SERIOUS assumes no liability whatsoever, and SERIOUS disclaims any warranties whether express or implied, written, oral, statutory or otherwise relating to the information and its use, including any liability for warranties relating to fitness for a particular purpose, performance, quality, merchantability, or noninfringement of any patent, copyright or other intellectual property right. The user is responsible for determining the suitability of SERIOUS products for the intended application and that applicable specifications are met.

SERIOUS makes no representations or warranties with respect to the accuracy or completeness of the information and may make changes to the information, specifications and product descriptions at any time without notice. Designers should not rely on the absence or characteristics of any features or instructions marked “reserved” or “undefined.” SERIOUS reserves these for future definition and shall have no responsibility whatsoever for conflicts or incompatibilities arising from future changes to such features or instructions. SERIOUS products may contain design defects or errors known as errata which may cause the product to deviate from published specifications. Current characterized errata are available upon request.

Use of SERIOUS products in automotive, military, aircraft, space, life-saving or life-sustaining applications or in any systems where failure or malfunction may result in personal injury, death or severe property or environmental damage is entirely at the buyer’s risk and the buyer agrees to defend, indemnify and hold harmless SERIOUS from any and all damages, claims, suits or expenses resulting from such use.

TRADEMARKS AND COPYRIGHTS

The “Serious” name and stylized Serious mark are trademarks of Serious Integrated, Inc. The information herein, unless otherwise indicated, is Copyright 2013-2015 Serious Integrated, Inc.

Third party brands and names are the property of their respective owners.

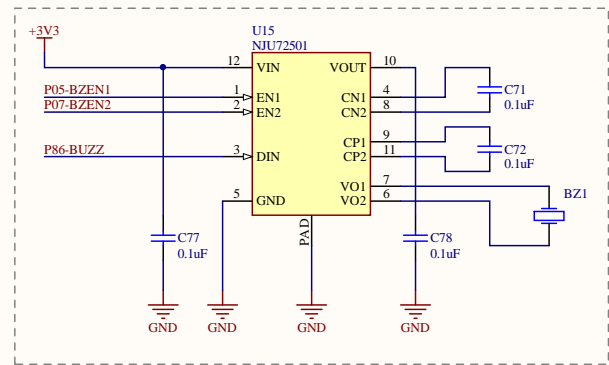
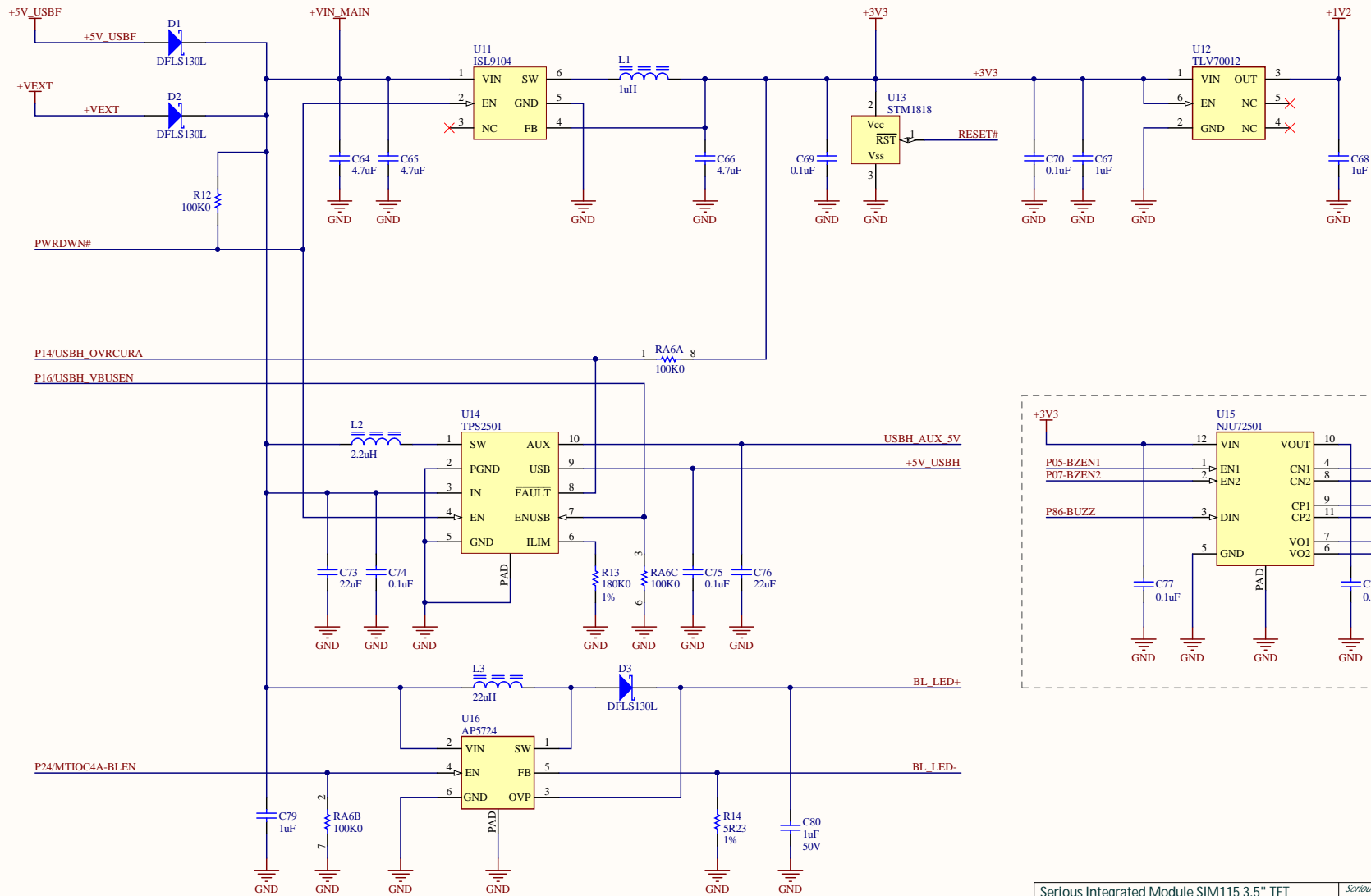
ADDITIONAL INFORMATION

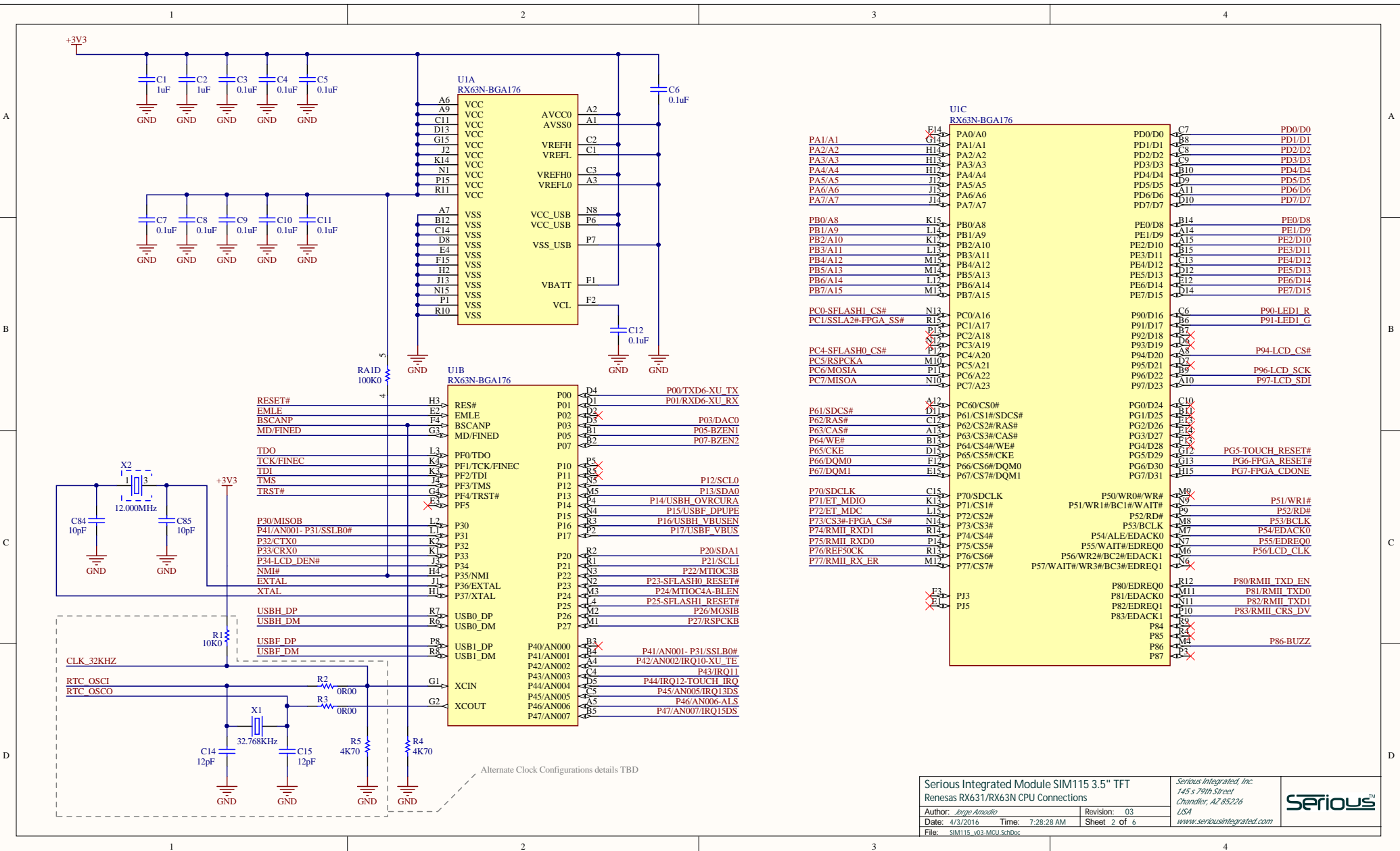
The home page for SIM115 technical documentation is: <http://www.seriousintegrated.com/w/index.php?title=SIM115>

Further documentation, including schematics, STEP 3D CAD files, and more can be found there.

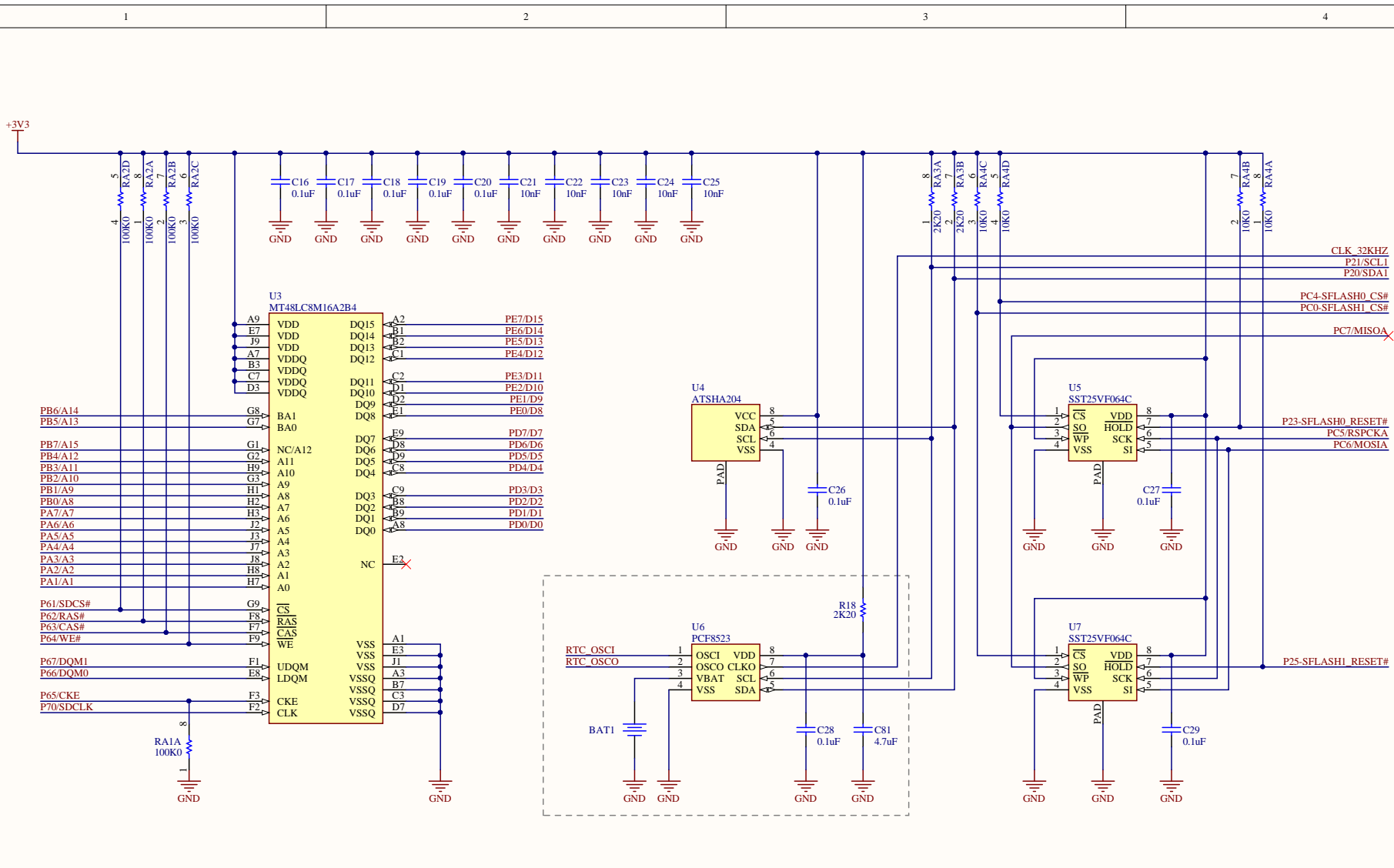
For more information on the SIM115:

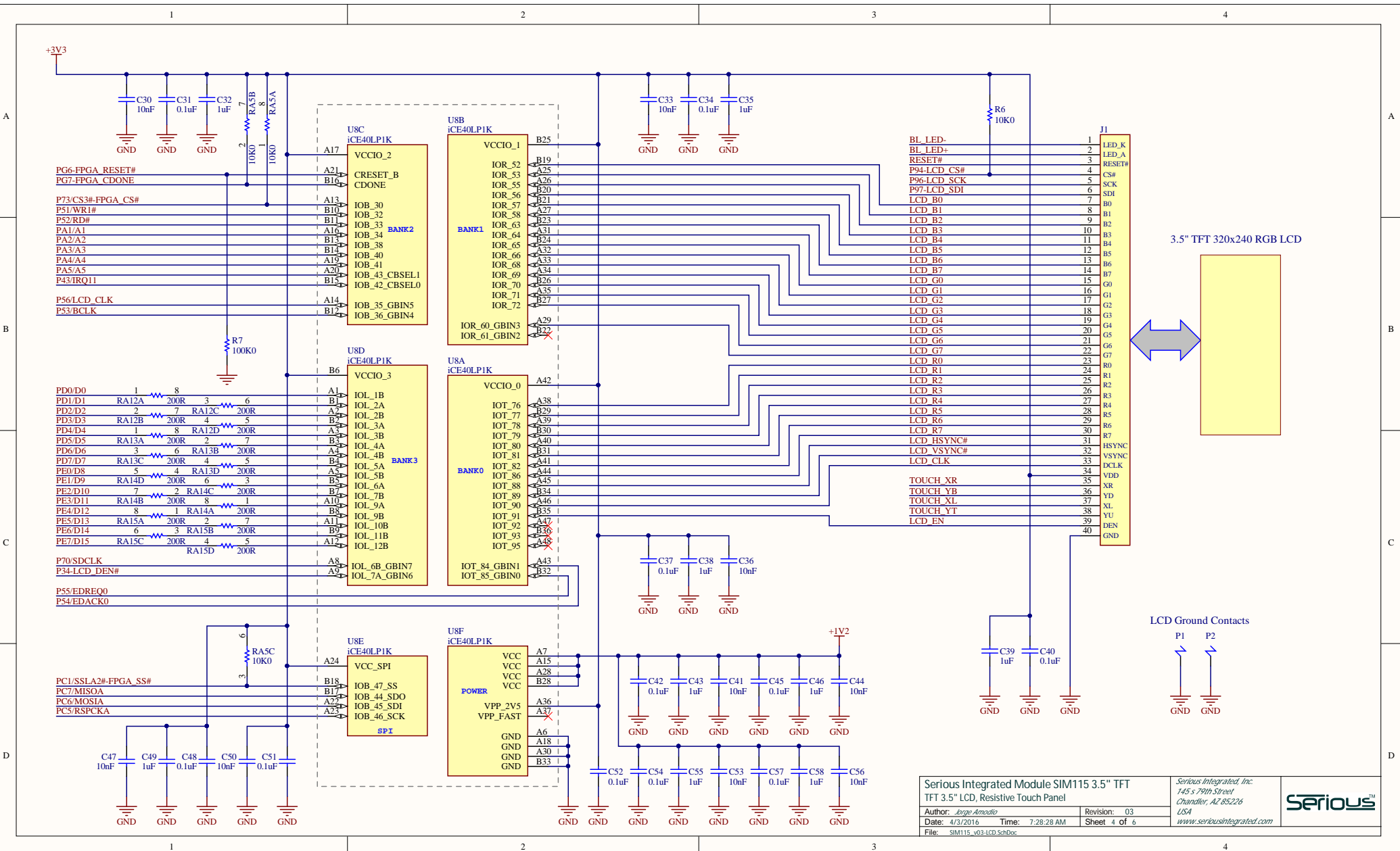
- Visit www.seriousintegrated.com/SIM115
- Contact a [Serious manufacturers' representative](#)
- Contact a [Serious authorized distributor](#)
- Visit mySerious.com
- [Contact Serious](#) directly



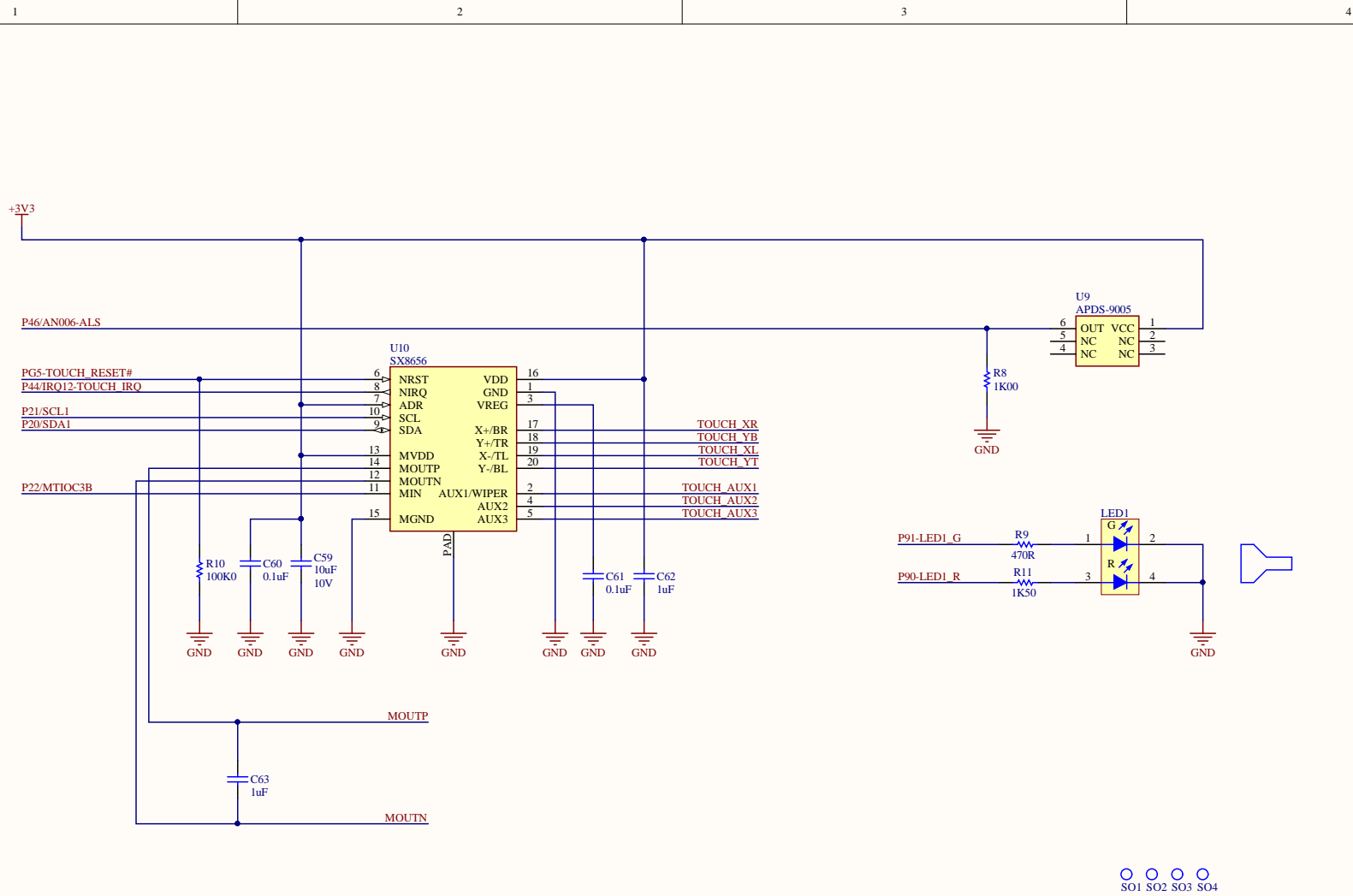


Serious Integrated Module SIM115 3.5" TFT Renesas RX631/RX63N CPU Connections		<i>Serious Integrated, Inc.</i> 145 S 79th Street Chandler, AZ 85226 USA www.seriousintegrated.com	
Author: <i>Arge Amadio</i> Date: 4/3/2016 File: SIM115_v03-MCU_SchDoc	Revision: 03 Time: 7:28:28 AM Sheet 2 of 6		





Serious Integrated Module SIM115 3.5" TFT TFT 3.5" LCD, Resistive Touch Panel		<i>Serious Integrated, Inc.</i> 145 s 79th Street Chandler, AZ 85226 USA www.seriousintegrated.com		
Author: <i>Luigi Amodio</i>	Revision: 03			
Date: 4/3/2016	Time: 7:28:28 AM	Sheet 4 of 6		
File: SIM115_v03-LCD.SchDoc				



SO1 SO2 SO3 SO4

