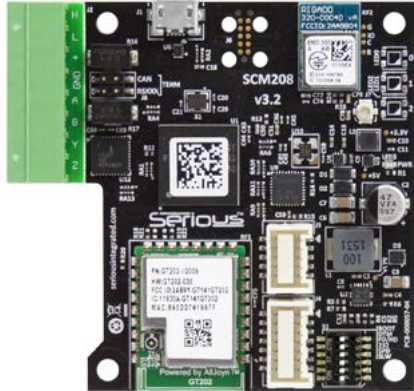


# SCM208



Front View

## Important Legal Notice

See the latest and complete warranty, licensing and legal information at [www.seriousintegrated.com/legal](http://www.seriousintegrated.com/legal).

Information herein is provided in connection with Serious Integrated, Inc. ("SERIOUS") products.

The products may comprise components designed and manufactured by SERIOUS as well as other vendors. This information may refer to a variety of specifications related to those non-SERIOUS components for informational purposes only, and the user is strongly urged to consult the original manufacturers' data sheets and other documentation for authoritative specifications.

No license, express or implied, by estoppel or otherwise, to any intellectual property rights is granted by this information.

SERIOUS assumes no liability whatsoever, and SERIOUS disclaims any warranties whether express or implied, written, oral, statutory or otherwise relating to the information and its use, including any liability for warranties relating to fitness for a particular purpose, performance, quality, merchantability, or infringement of any patent, copyright or other intellectual property right. The user is responsible for determining the suitability of SERIOUS products for the intended application and that applicable specifications are met.

SERIOUS makes no representations or warranties with respect to the accuracy or completeness of the information and may make changes to the information, specifications and product descriptions at any time without notice. Designers should not rely on the absence or characteristics of any features or instructions marked "reserved" or "undefined." SERIOUS reserves these for future definition and shall have no responsibility whatsoever for conflicts or incompatibilities arising from future changes to such features or instructions. SERIOUS products may contain design defects or errors known as errata which may cause the product to deviate from published specifications. Current characterized errata are available upon request.

Use of SERIOUS products in automotive, military, aircraft, space, life-saving or life-sustaining applications or in any systems where failure or malfunction may result in personal injury, death or severe property or environmental damage is entirely at the buyer's risk and the buyer agrees to defend, indemnify and hold harmless SERIOUS from any and all damages, claims, suits or expenses resulting from such use.

## Trademarks and Copyrights

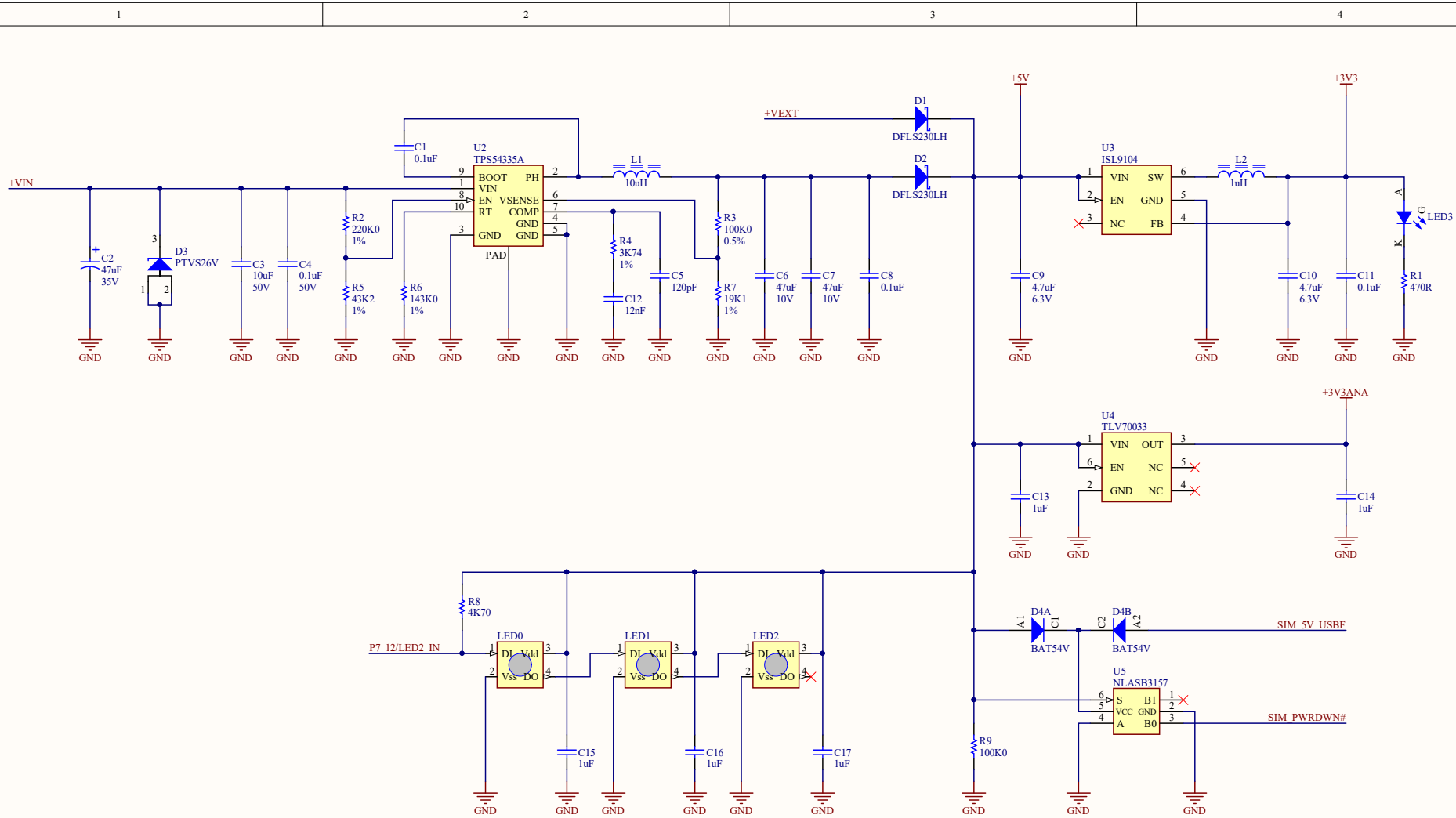
The "Serious" name and stylized Serious mark are trademarks of Serious Integrated, Inc. The information herein, unless otherwise indicated, is Copyright 2012-2016 Serious Integrated, Inc. Third party brands and names are the property of their respective owners.

## Additional Information

Further documentation, including schematics, STEP 3D CAD files, and more can be found on the [Serious Documentation Page for SCM208](#).

For more information on the SCM208:

- Visit [www.seriousintegrated.com/SCM208](http://www.seriousintegrated.com/SCM208)
- Visit [mySerious.com](http://mySerious.com)
- [Contact Serious](#) directly

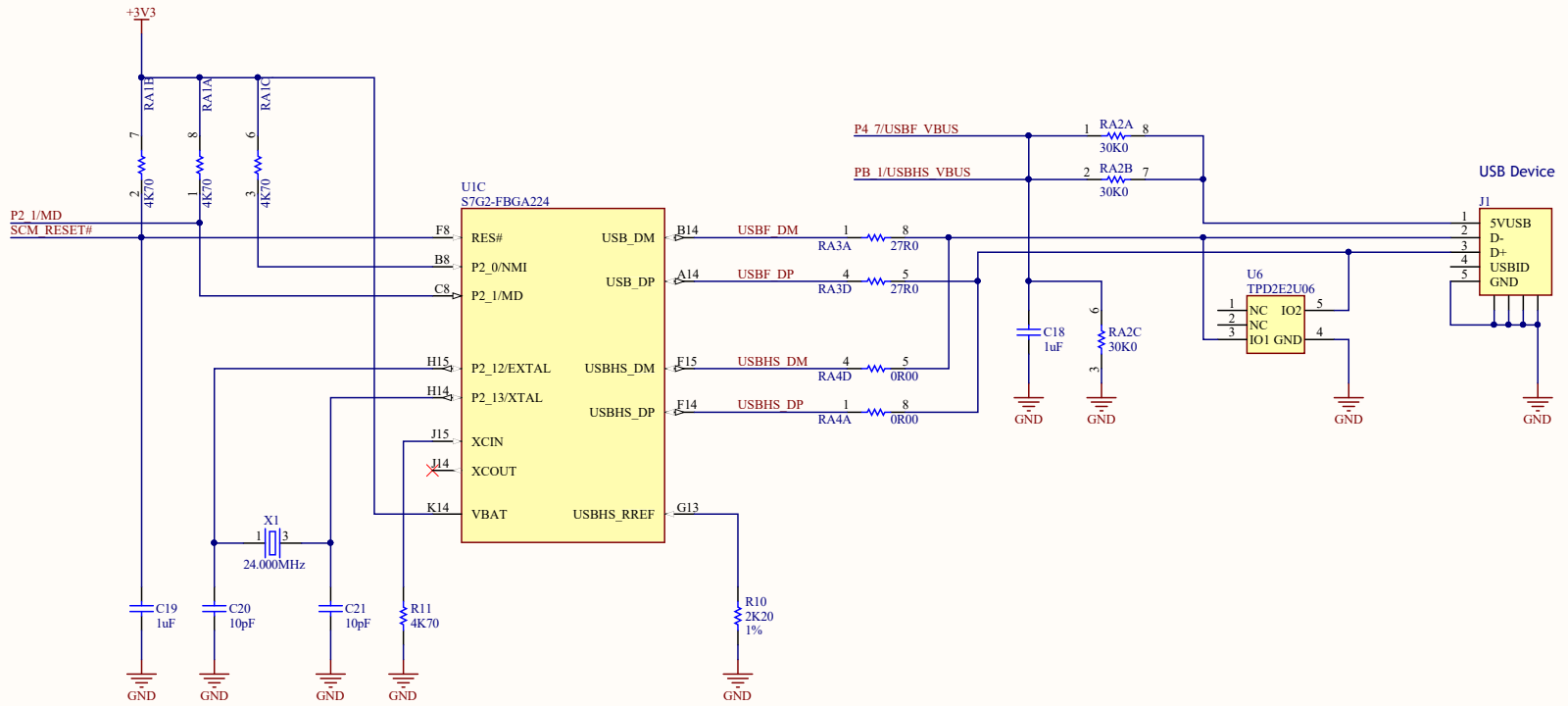


U1A  
S7G2-FBGA224

P0_0/AN000	R12	P0_0	P4_0	P4_0/SCL0-SIM I2C SCL
P0_1/AN001	P11	P0_1	P4_1	P4_1/SDA0-SIM I2C SDA
P0_2-ETH_PWDN#	N12	P0_2	P4_2	P4_2-RS485/232#
P0_3-SIM_SPI_DATA#	L10	P0_3	P4_3	P4_3/ET1 MDC
P0_4/IR09-DS-WIFI IRQ#	M11	P0_4	P4_4	P4_4/ET1 MDIO
P0_5/IRQ10-DS-BT IRQ#	R11	P0_5	P4_5	P4_5/RMII1 TXD EN
P0_6/AN102	P10	P0_6	P4_6	P4_6/RMII1 TXD1
	L7	P0_7	P4_7	P4_7/USBF VBUS
P0_8/AN003	N11	P0_8	P4_8	P4_8/SCL3/RXD3-ETH SCLRX
P0_9/AN004	R10	P0_9	P4_9	P4_9/SDA3/TXD3-ETH SDATX
	M10	P0_10	P4_10	P4_10-MMC D1
P0_14/DA0	N10	P0_11	P4_11	P4_11-MMC D0
P0_15/DA1	M9	P0_12	P4_12	P4_12-MMC CMD
	M8	P0_13	P4_13	P4_13-MMC CLK
		P0_14	P4_14	
		P0_15	P4_15	P4_15-MMC RESET#
P1_0/MISOA-SIM_SPI_MISO	R1	P1_0	P5_0	P5_0-RS ON
P1_1/MOSIA-SIM_SPI_MOSI	P1	P1_1	P5_1	P5_1/TXD5
P1_2/RSPCKA-SIM_SPI_SCLK	N1	P1_2	P5_2	P5_2/RXD5
P1_3/SSLA0-SIM_SPI_SSEL#	N2	P1_3	P5_3	P5_3-RS DEN
P1_4/RXD8-BT_UART_TX	N3	P1_4	P5_4	P5_4-RS RXEN
P1_5/TXD8-BT_UART_RX	M3	P1_5	P5_5	P5_5/GTIOC13/IRQ14#
P1_6-BT_UART_CTS	L4	P1_6	P5_6	P5_6/AN019
P1_7/CTS8#-BT_UART_RTS	K4	P1_7	P5_7	
P1_8/TMS/SWDIO	B4	P1_8	P5_8	
P1_9/TDO/TXD9/TRACESWO	B1	P1_9	P5_9	
P1_10/TD1/RXD9	C4	P1_10	P5_10	
P1_11/IRQ4#	C3	P1_11	P5_11	P5_11/CRX1
	D3	P1_12	P5_12	P5_12/CTX1
	E3	P1_13	P5_13	P5_13-BT_UART_AT
	E2	P1_14	P5_14	P5_14-BT RESET#
	E1	P1_15	P5_15	
		P2_2	P6_0	P6_0-RS SLEW
P2_2-MMC D6	A12	P2_3	P6_1	P6_1-RS SPEED
P2_3-MMC D5	B11	P2_4	P6_2	
P2_4-MMC D4	D11	P2_5	P6_3	
P2_5-MMC D3	C11	P2_6	P6_4	
P2_6-MMC D2	G11	P2_7	P6_5	
	C10	P3_0	P6_6	P6_6-BT SWCLK
P3_0/TCK/SWCLK	F5	P3_1	P6_7	P6_7-BT SWDIO
P3_1/RXD2-SIM_UART_TX	B4	P3_2	P6_8	P6_8-BT MODE
P3_2/TXD2-SIM_UART_RX	A3	P3_3	P6_9	P6_9-BT CONN
P3_3-WIFI_PWD#	A2	P3_4	P6_10	P6_10-BT DTM
P3_4/RXD6/SCL6/MISO6	D4	P3_5	P6_11	P6_11-SIM IRQ#
P3_5/TXD6/SDA6/MOSI6	D3	P3_6	P6_12	
P3_6/SCK6	D2	P3_7	P6_13	
P3_7/SS6#/CTS6#/RTS6#	D1	P3_8	P6_14	
P3_8-ETH_RESET#	D7	P3_9	P6_15	
P3_9-SIM_RESET#	C6	P3_10		
P3_10-SIM_3V3_DOCK	C5	P3_11		
	C4	P3_12		
	B6	P3_13		
P3_13-MMC D7	E10	P3_14		
	F9	P3_15		
	C11			

U1B  
S7G2-FBGA224

P7_0/RMII1_TXD0	M14	P7_0	PA_0	J7
P7_1/REF50CK1	M15	P7_1	PA_1	J8
P7_2/RMII1_RXD0	K11	P7_2	PA_2	J9
P7_3/RMII1_RXD1	J8	P7_3	PA_3	J10
P7_4/RMII1_RX_ER	J10	P7_4	PA_4	J11
P7_5/RMII1_CRCS_DV	L13	P7_5	PA_5	J12
	L14	P7_6	PA_6	J13
	L15	P7_7	PA_7	J14
	D15	P7_8	PA_8	J15
P7_8/MISO1-WIFI_SO	E13	P7_9	PA_9	J16
P7_9/MOSI1-WIFI_SI	F10	P7_10	PA_10	J17
P7_10/SCK1-WIFI_SCLK	E12	P7_11	PA_11	J18
P7_11/SS1#-WIFI_CS#	F11	P7_12	PA_12	J19
P7_12/LED2_IN	G10	P7_13	PA_13	J20
		P8_0	PA_14	J21
	P2	P8_1	PA_15	J22
	R2	P8_2	PB_0	H9
	R3	P8_3	PB_1	H10
	P4	P8_4	PB_2	H11
	M4	P8_5	PB_3	H12
	B11	P8_6	PB_4	H13
	M12	P8_7	PB_5	H14
	P12	P8_8	PB_6	H15
	K7	P8_9	PB_7	G11
	K8	P8_10		
	L6	P8_11		
	L5	P8_12		
	G11	P8_13		
		P9_0		
	E9	P9_1		
	B11	P9_2		
	D9	P9_3		
	C9	P9_4		
	A6	P9_5		
	F6	P9_6		
	F7	P9_7		
	E7	P9_8		
	E8	P9_9		
	D8	P9_10		
	B7	P9_11		
	A7	P9_12		
	H8	P9_13		
	E8	P9_14		
	E6	P9_15		



1

2

3

4

A

A

B

B

C

C

D

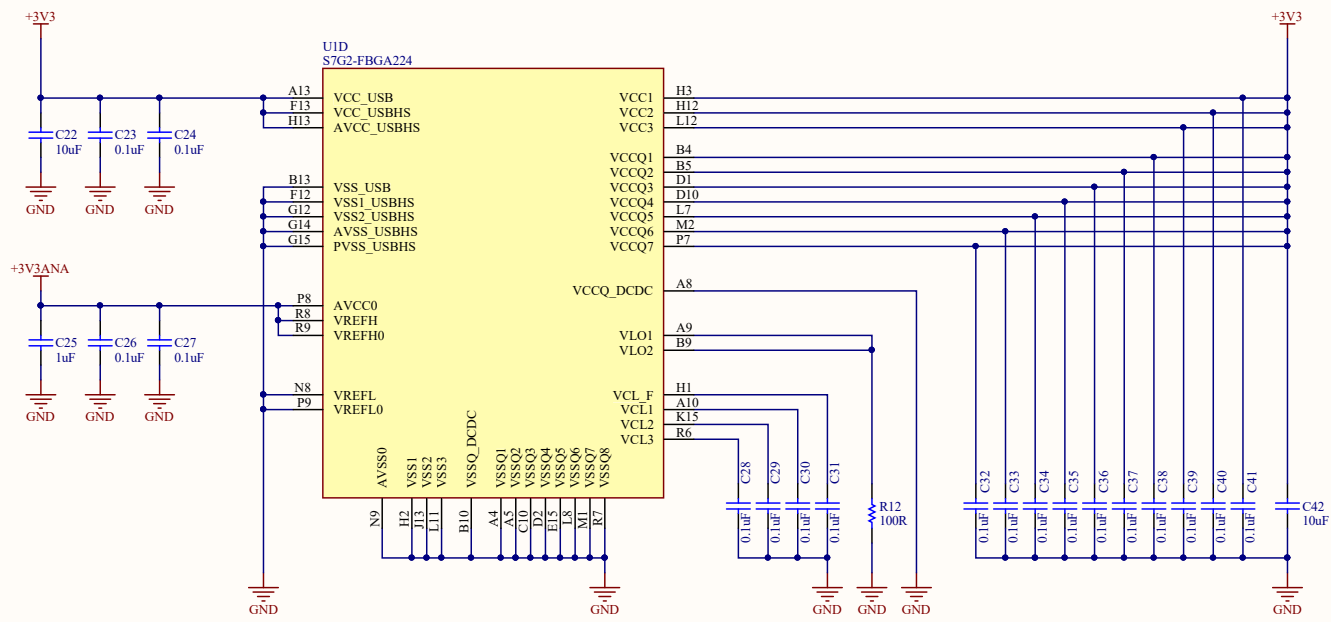
D

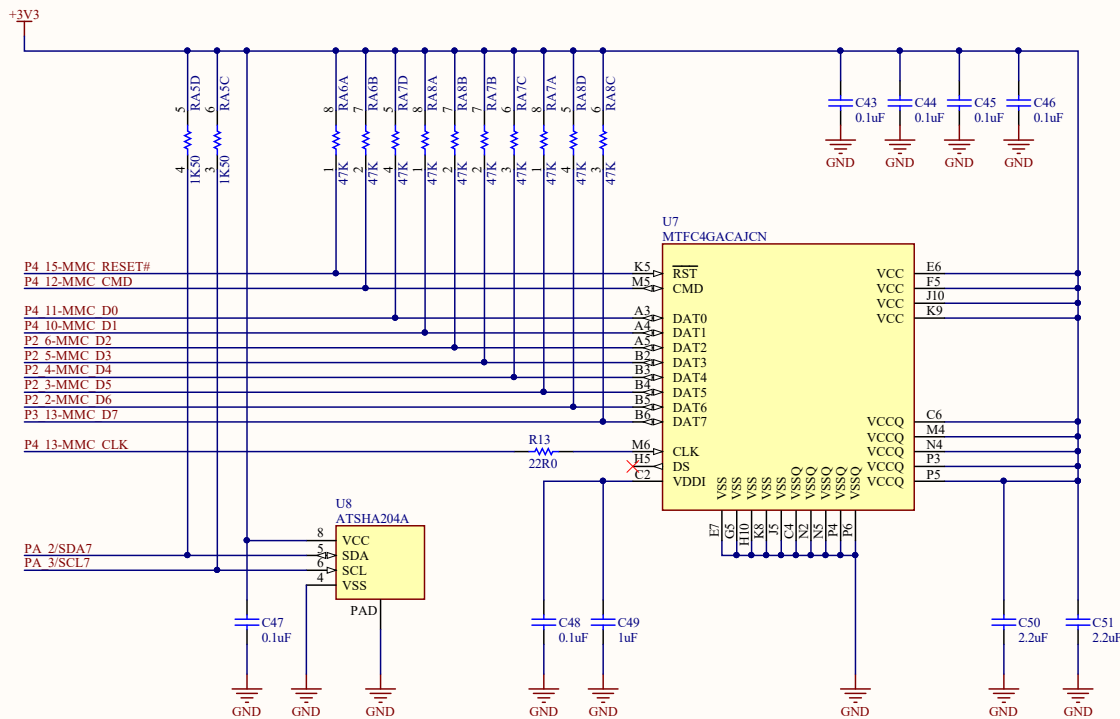
1

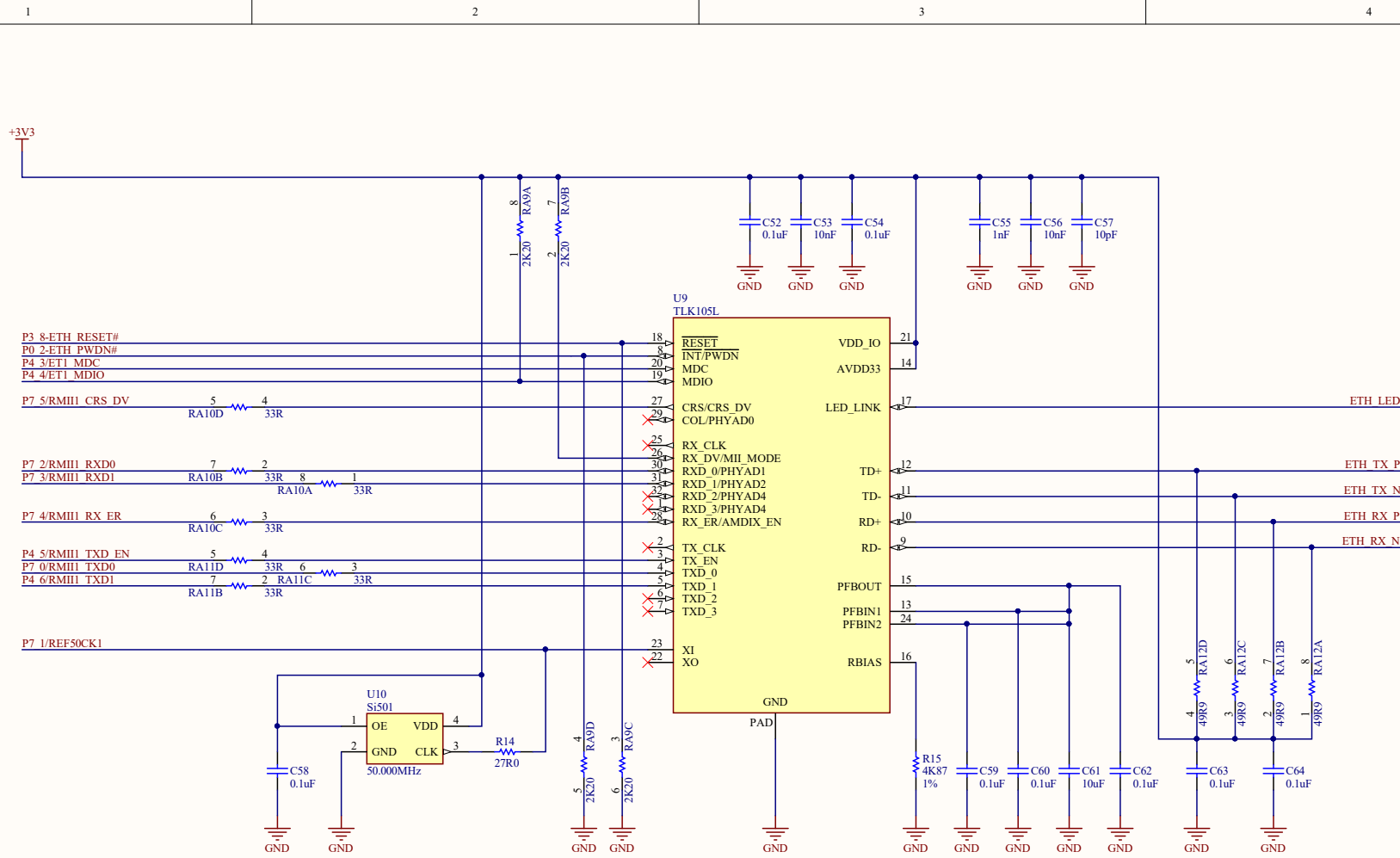
2

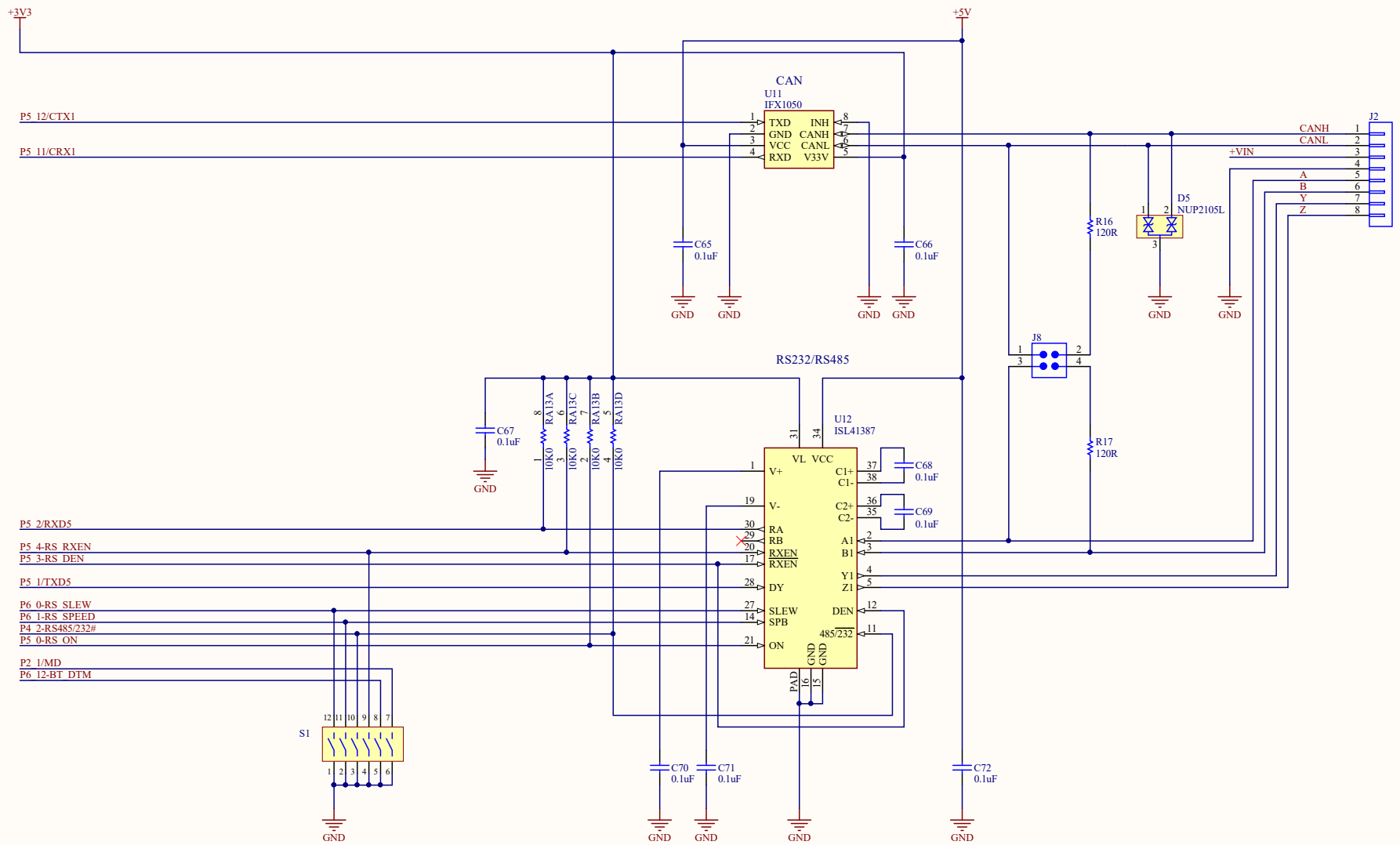
3

4







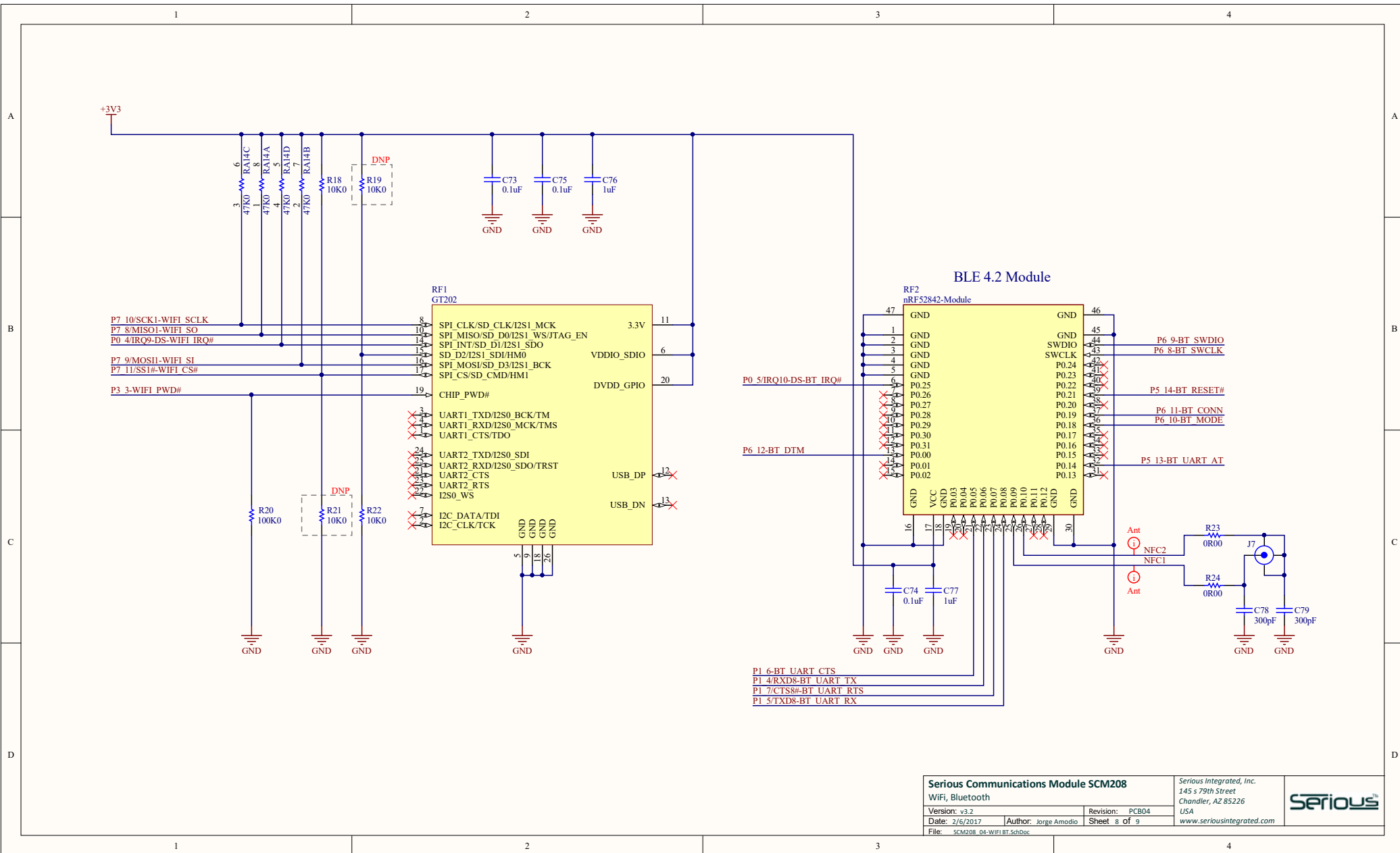


P5 12/CTX1  
P5 11/CRX1

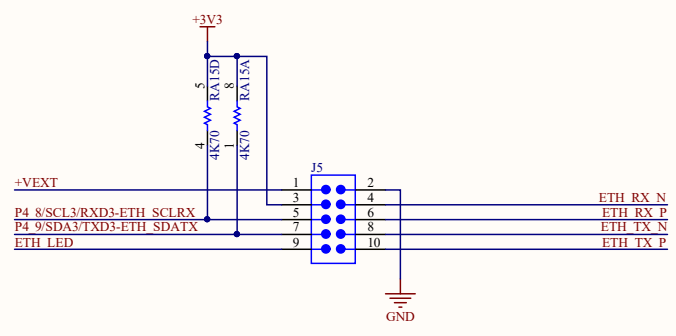
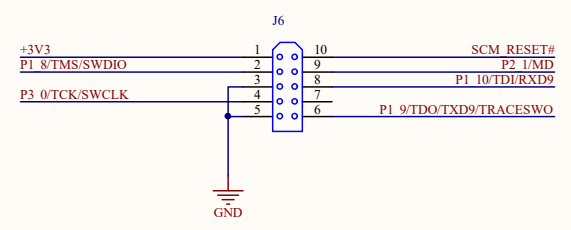
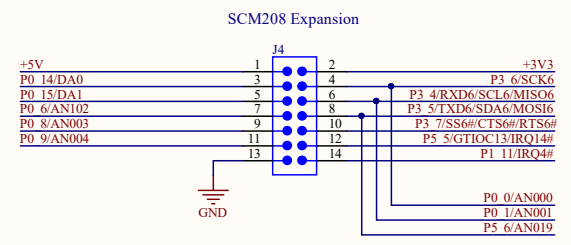
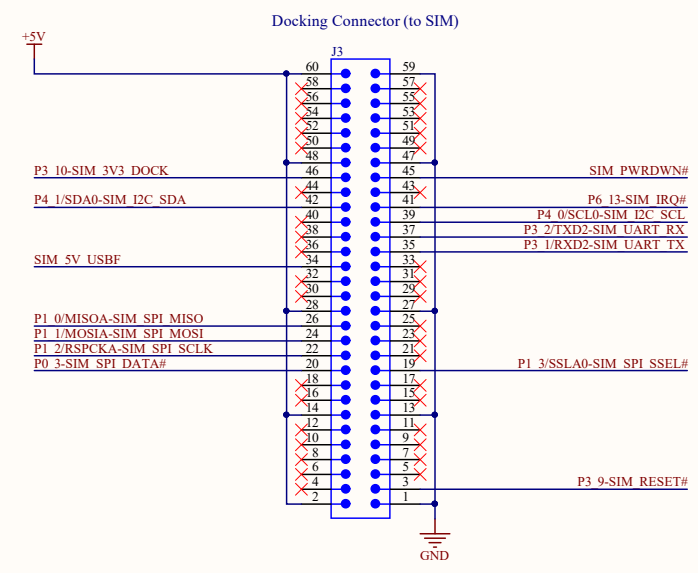
P5 2/RXD5  
P5 4-RS RXEN  
P5 3-RS DEN  
P5 1/TXD5  
P6 0-RS SLEW  
P6 1-RS SPEED  
P4 2-RS485/232#  
P5 0-RS ON  
P2 1/MD  
P6 12-BT DTM

<b>Serious Communications Module SCM208</b>		Serious Integrated, Inc.		
RS232/485, CAN		145 s 79th Street Chandler, AZ 85226		
Version: v3.2	Author: Jorge Amodio	Revision: PCB04	USA	www.seriousintegrated.com
Date: 2/6/2017	File: SCM208_04-RS485 CAN.SchDoc	Sheet 7 of 9		





<b>Serious Communications Module SCM208</b>			Serious Integrated, Inc. 145 s 79th Street Chandler, AZ 85226 USA www.seriousintegrated.com	
WiFi, Bluetooth				
Version: v3.2	Author: Jorge Amodio	Revision: PCB04		
Date: 2/6/2017	File: SCM208_04-WIFI-BT.SchDoc	Sheet 8 of 9		



<b>Serious Communications Module SCM208</b>			Serious Integrated, Inc. 145 s 79th Street Chandler, AZ 85226 USA <a href="http://www.seriousintegrated.com">www.seriousintegrated.com</a>	
SIM Board to Board interface				
Version: v3.2	Author: Jorge Amodio	Revision: PCB04	Sheet 9 of 9	
Date: 2/6/2017				
File: SCM208_04-SIM 828.SchDoc				